



XRB SERIES

100 to 250kV, 220mA, 100nS to Standard Recovery
X-ray Board Rectifiers



Features

- High Voltage, Medium Current Handling Assembly
- Fast Recovery Models Available

Specifications¹

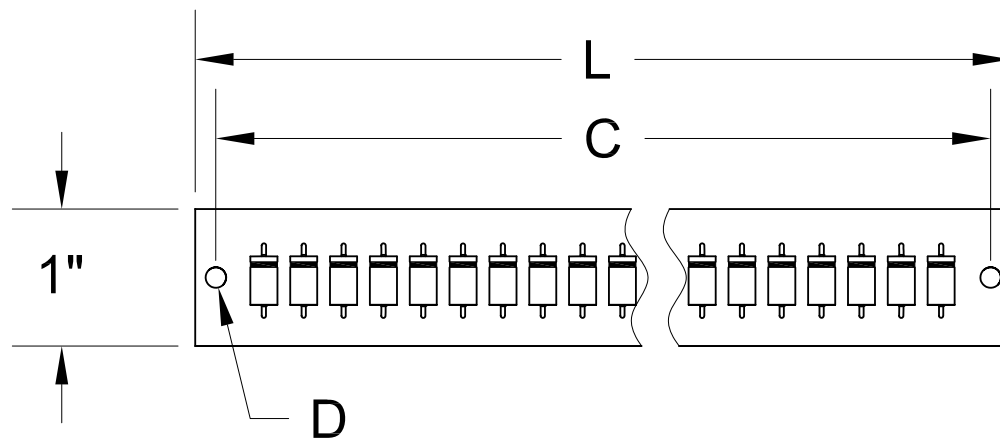
Part Number	V _{RRM} V	I _{FAVM} mA	V _F V	I _R μA	I _{FSM} A	T _{RR} ² nS	L in.	C in.	D in.
Standard Recovery Subseries									
XRB100	100000	220	160	2	20	-	6.00	5.60	0.15
XRB125	125000	220	192	2	20	-	6.00	5.60	0.15
XRB150	150000	220	208	2	20	-	6.00	5.60	0.15
XRB175	175000	220	256	2	20	-	6.00	5.60	0.15
XRB200	200000	220	256	2	20	-	6.00	5.60	0.15
Fast Recovery Subseries									
XRBF100	100000	220	352	2	10	100	6.00	5.60	0.15
XRBF125	125000	220	352	2	10	100	6.00	5.60	0.15
XRBF150	150000	220	416	2	10	100	6.00	5.60	0.15
XRBF175	175000	220	416	2	10	100	6.00	5.60	0.15
XRBF200	200000	220	416	2	10	100	6.00	5.60	0.15
XRBF250	250000	220	560	2	10	100	6.00	5.60	0.15

Temperature °C	
Operating Temperature	-55 to 125
Storage Temperature	-55 to 150

¹25°C ambient temperature unless stated otherwise

²A “-“ indicates that the component is a standard recovery device and no T_{RR} data is taken.

Drawings



Dimensions in inches, tolerances ±0.020 except as noted



Specification Definitions

	Specifications	Conditions
V_{RRM}	Maximum Repetitive Reverse Voltage	-
I_{FAVM}	Maximum Average Forward Current	At T _{OIL} = 55°C
V_F	Maximum Forward Voltage Drop	At I _{FAVM}
I_R	Maximum Leakage Current	At V _{RRM}
I_{FSM}	Maximum Surge Current	At 8.3 mS, Single Half Sine
T_{RR}	Maximum Reverse Recovery Time	I _F = 40mA; I _R = -80mA; I _{RR} = -20mA

Note: Specifications subject to change without notice. Photo is representation only.

