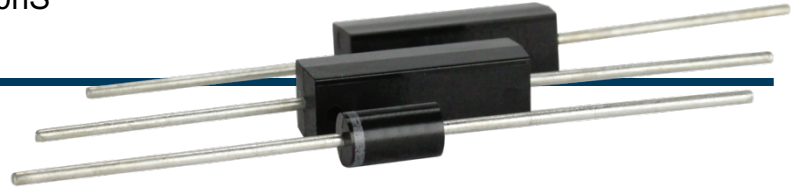




UX SERIES

8 to 30kV, 150 to 500mA, 40 to 50nS
Axial Lead Power Diodes



Features

- High Peak Reverse Voltage
- Rectangular and DO-201AD Packages

Specifications¹

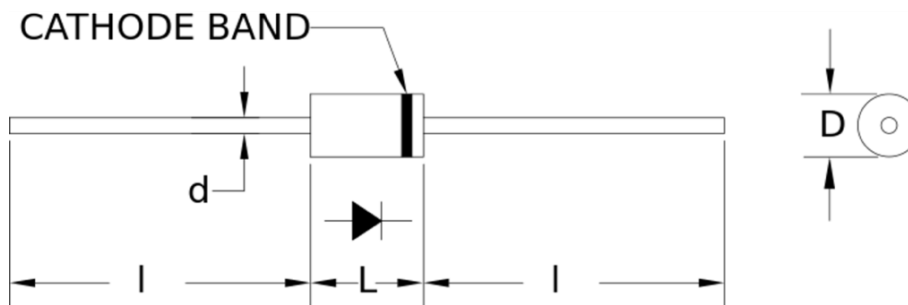
Part Number	V _{RRM} V	I _{FAVM1} mA	I _{FAVM2} mA	V _F V	I _R μA	I _{FSM} A	C _J pF	T _{RR} ² nS	L in.	D in.	d in.	l in.
UX-FBR8	8000	420	500	12	0.5	20	7.5	40	0.354	0.197	0.050	0.945
UX-FOB	8000	500	600	12	0.5	20	7.5	40	0.870	0.280	0.047	0.870
UX-F2CL15	15000	150	250	16	0.5	20	3.5	50	0.600	0.170	0.032	0.940
UX-F15B	15000	200	320	16	0.5	20	3.5	50	0.870	0.280	0.047	0.870
UX-F30B	30000	100	150	35	0.5	20	1.9	50	0.870	0.280	0.047	0.870

Temperature °C	
Operating Temperature	-55 to 150
Storage Temperature	-55 to 175
Maximum Junction Temperature	150

¹25°C ambient temperature unless stated otherwise.

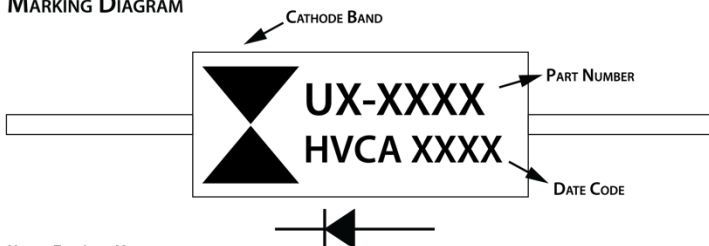
²Check Specification Definitions for conditions details.

Drawings



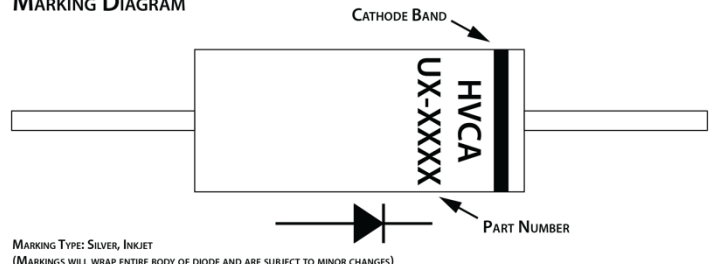
Dimensions in inches, tolerances ±0.020 except as noted

MARKING DIAGRAM



UX-FOB, UX-F15B, UX-F30B

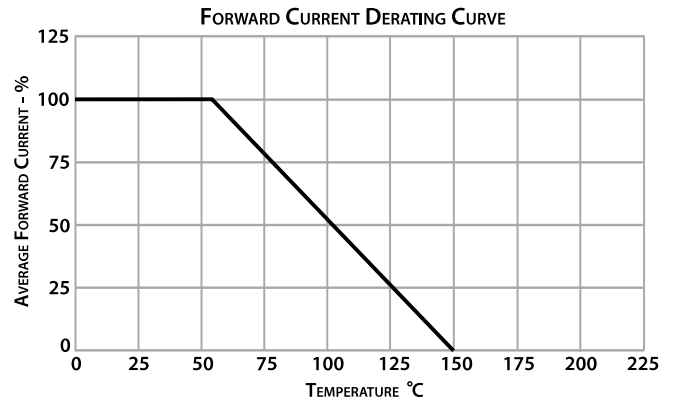
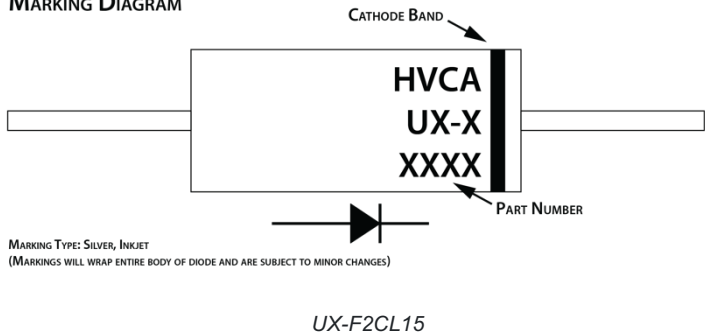
MARKING DIAGRAM



UX-FBR8



MARKING DIAGRAM



Specification Definitions

Specifications		Conditions
V_{RRM}	Maximum Repetitive Reverse Voltage	-
I_{FAVM1}	Maximum Average Forward Current	At T _A = 55°C, in Air
I_{FAVM2}	Maximum Average Forward Current	At T _A = 55°C, in Oil
V_F	Maximum Forward Voltage Drop	At 100mA
I_R	Maximum Leakage Current	At V _{RRM}
I_{FSM}	Maximum Surge Current	At 8.3mS, Single Half Sine
C_J	Typical Junction Capacitance	At V _R = 0VDC, f = 1MHz
T_{RR}	Maximum Reverse Recovery Time	I _F = 250mA; I _R = -500mA; I _{RR} = -125mA (UX-FBR8, UX-FOB) I _F = 100mA; I _R = -200mA; I _{RR} = -50mA (UX-F2CL15, UX-F15B, UX-F30B)

Note: Specifications subject to change without notice. Photo is representation only.

