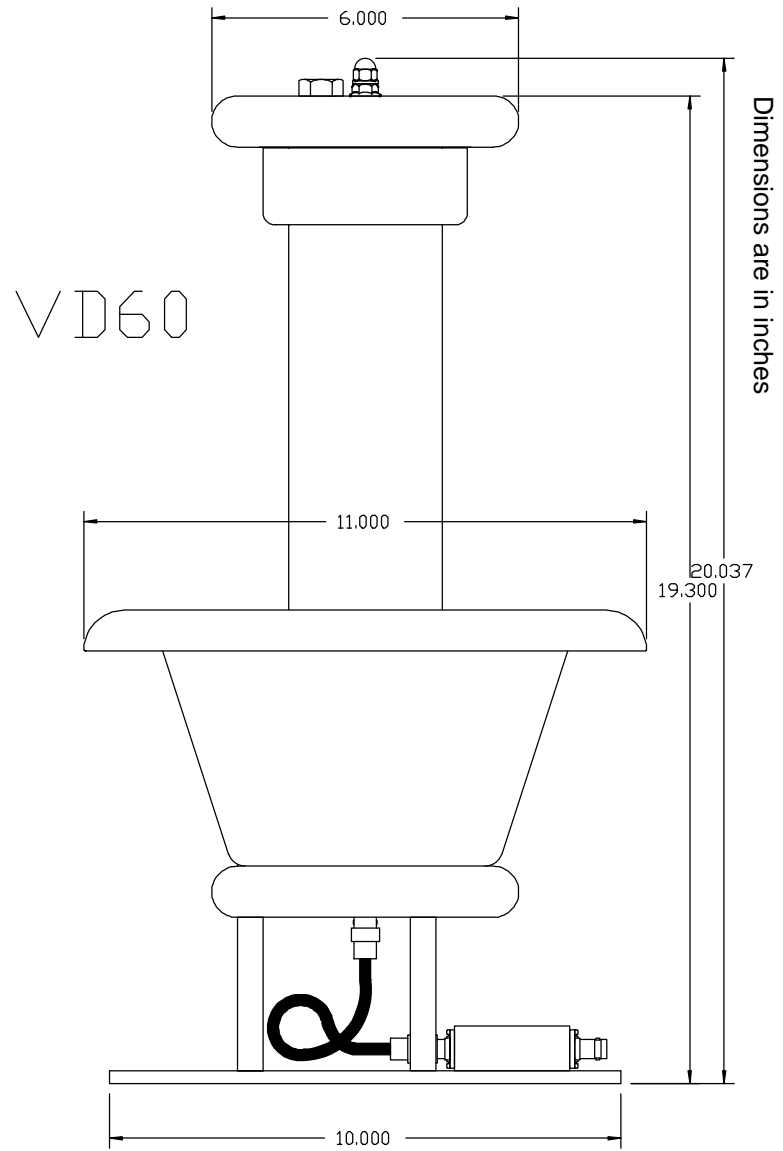


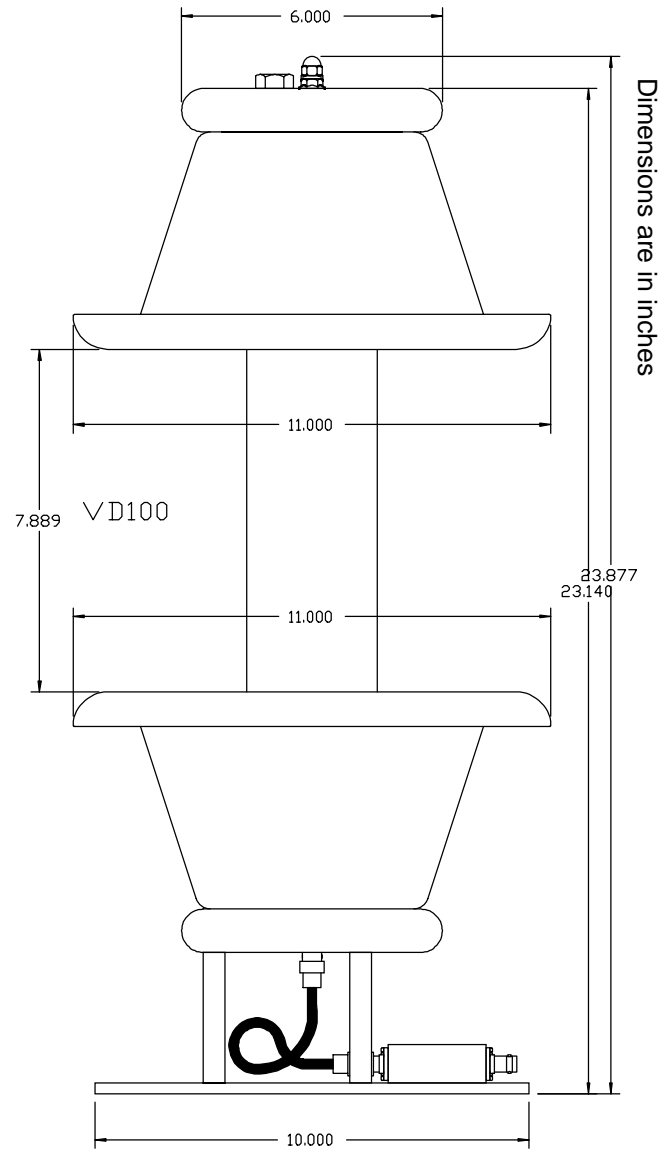


High Voltage Products. High Voltage Experts.

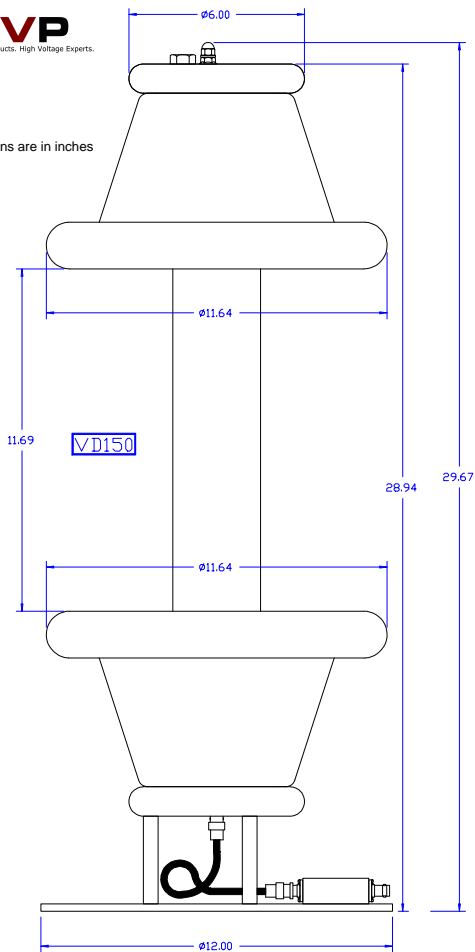




High Voltage Products. High Voltage Experts.



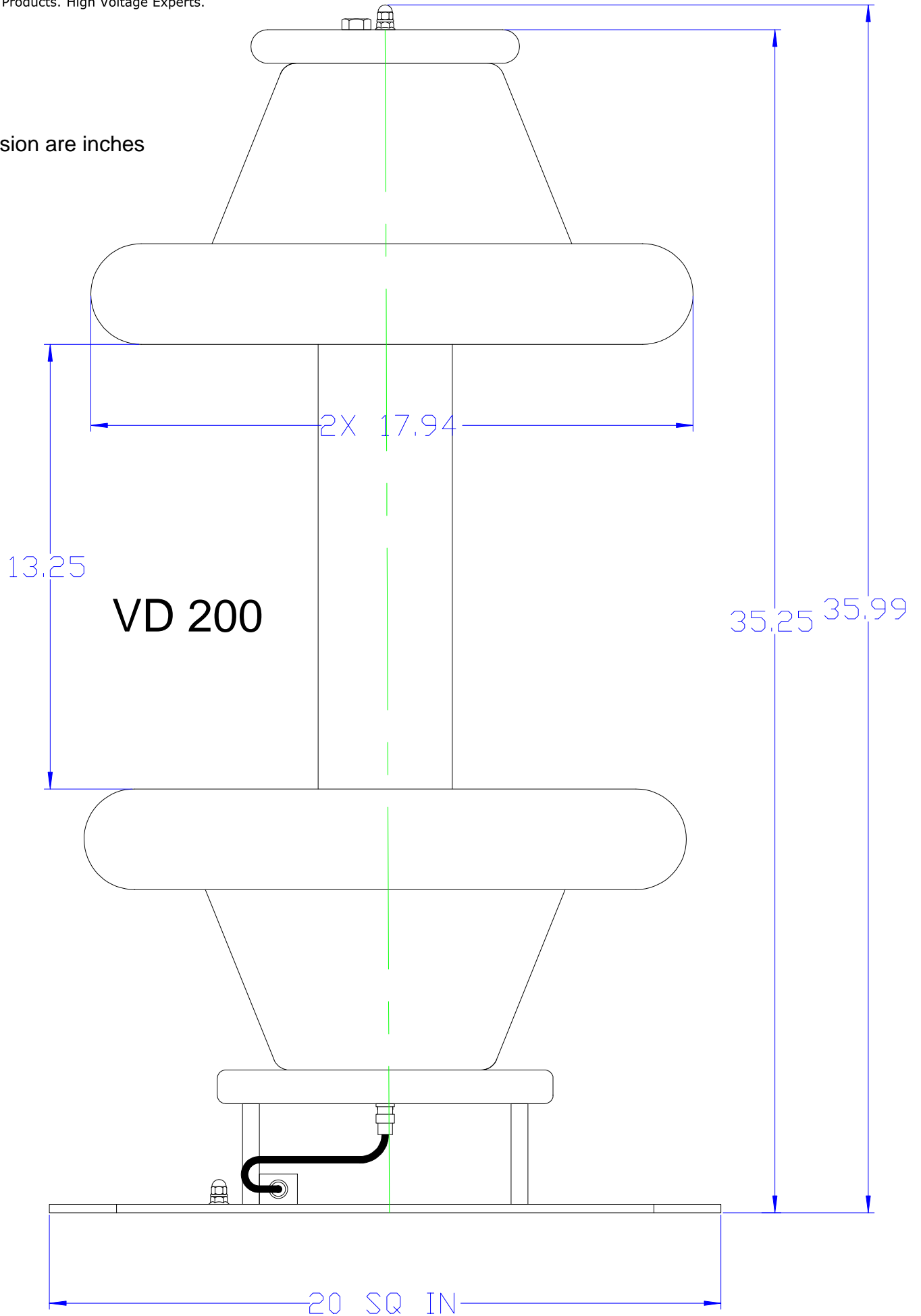
Dimensions are in inches





High Voltage Products. High Voltage Experts.

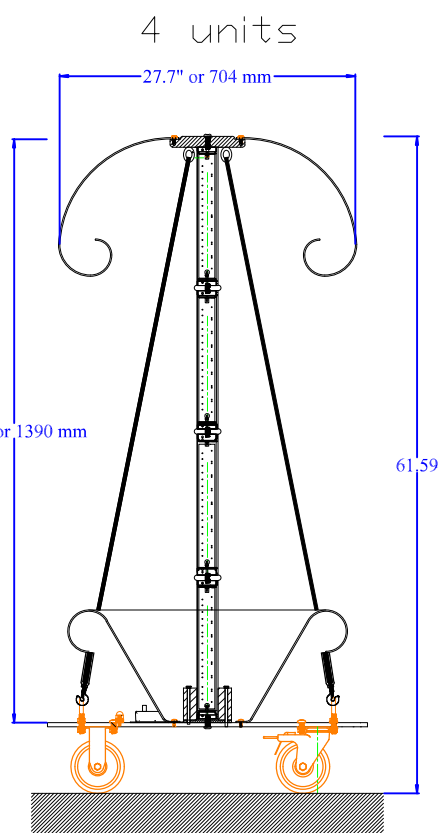
Dimension are inches





High Voltage Products. High Voltage Experts.

REVISIONS

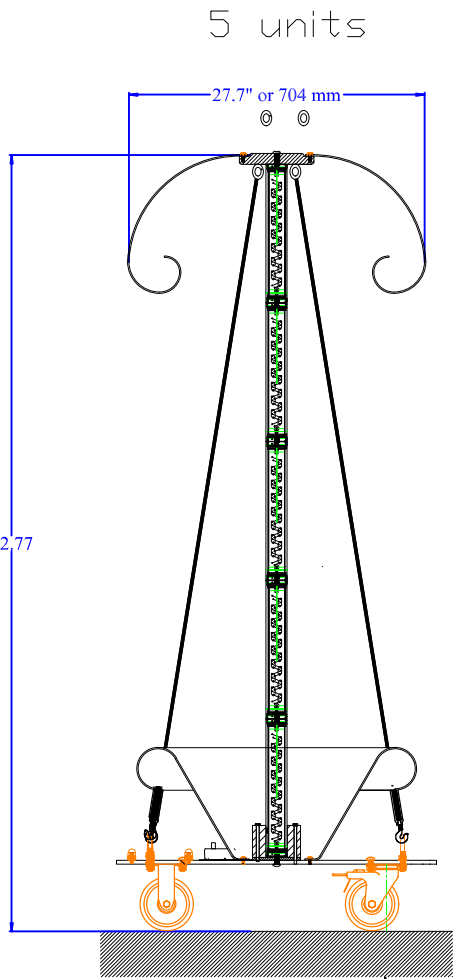


4 units

27.7" or 704 mm

54.71" or 1390 mm

61.59



5 units

27.7" or 704 mm

72.77

FILE NO. 40011-1Assembly		THIS DOCUMENT CONTAINS INFORMATION WHICH IS PROPRIETARY TO NORTH STAR RESEARCH. NO REPRODUCTION OR FURNISHING OF THIS DOCUMENT, IN WHOLE OR IN PART, SHALL BE MADE WITHOUT WRITTEN AUTHORIZATION FROM NORTH STAR RESEARCH.		
PROJECT NO. 17		UNLESS OTHERWISE SPECIFIED, ALL DIMENSIONS ARE IN INCHES AND THE FOLLOWING TOLERANCES ARE HELD:		
PLACES IN DIMENSION	X	XX	XXX	
DIMENSIONS	±.02	±.01	±.005	
ANGLES				32°
DRAWN BY: TWL		DATE: 12/14/2013		
APP. BY:		DATE:		
SCALE: N/A		SHEET-SHT 15 OF 16		SIZE: ENG. NO. 062319-00

ITEM	PART#	DESCRIPTION	QTY
4			
3			
2			
1			