

Part Number	Max. Continuous DC Operating Voltage <sup>1</sup> V	Maximum Continuous Power Rating W	Maximum Discharge Capacity <sup>2</sup> J	Max. Clamping Voltage V <sub>c</sub> @ I <sub>p</sub>		Number of Discs in Assembly	Dimensions in Inches			Approx. Weight Net lbs	Shipping lbs	Figure
				V <sub>c</sub>	I <sub>p</sub> A		A	B	C			
<b>9RV Series - Silicon Carbide Surge Suppressor Assemblies</b>												
9RV3A1	6	3	1,100	10	40	1	2.00	-	-	.75	1.25	83
9RV3A2	6	6	2,200	20	40	2	2.25	-	-	1.50	2.00	82
9RV3A3	6	12	4,400	40	40	4	2.50	-	-	1.50	2.00	82
9RV3A4	12	3	1,350	10	80	1	2.00	-	-	.75	1.50	83
9RV3A5	12	6	2,700	20	80	2	2.25	-	-	1.50	2.00	82
9RV3A6	12	12	5,400	40	80	4	2.50	-	-	1.50	2.00	82
9RV3A7	25	6	2,700	10	160	2	2.25	-	-	.75	1.50	83
9RV3A8	50	3	1,700	5	200	1	2.25	-	-	.75	1.25	83
9RV3A9	50	6	3,400	10	200	2	2.25	-	-	1.50	2.00	82
9RV3A10	50	12	6,800	20	200	4	2.50	-	-	1.50	2.00	82
9RV3A11	100	6	3,400	5	400	2	2.25	-	-	.75	1.50	83
9RV3A12	150	3	5,100	2.5	775	1	2.25	-	-	.75	1.50	83
9RV3A14	300	3	5,100	1.5	1,350	1	2.75	-	-	.75	1.50	83
9RV3A15	600	6	10,200	0.5	2,300	2	3.25	-	-	1.00	1.50	83
9RV3B3	12	6	2,200	10	80	2	2.25	-	-	.75	1.50	83
9RV3B4	15	3	1,350	10	100	1	2.00	-	-	.75	1.50	83
9RV3B5	15	6	2,700	20	100	2	2.25	-	-	1.50	2.00	82
9RV3B6	30	3	1,700	5	150	1	2.25	-	-	.75	1.25	83
9RV3B7	30	6	3,400	10	150	2	1.25	-	-	1.50	2.00	82
9RV3B8	60	3	1,700	5	250	1	2.25	-	-	.75	1.25	83
9RV3B9	60	6	3,400	10	250	2	2.25	-	-	1.50	2.00	82
9RV3B10	60	12	6,800	20	250	4	2.50	-	-	1.50	2.00	82
9RV3B11	100	6	3,400	5	400	2	2.25	-	-	.75	1.50	83
9RV6A1	150	10	22,500	15	780	1	3.44	-	-	2.75	5.25	79
9RV6A2	150	20	45,000	30	780	2	3.94	5.00	3.781	4.50	7.00	80
9RV6A3	150	30	67,500	45	780	3	4.94	5.63	4.407	5.75	8.50	80
9RV6A4	150	40	90,000	60	780	4	5.44	6.25	5.031	7.00	9.50	80
9RV6A5	300	20	45,000	10	1,440	2	4.69	5.75	4.470	4.50	7.00	80
9RV6A6	275	10	22,500	10	1,200	1	3.44	-	-	2.75	5.25	79
9RV6A7	275	20	45,000	20	1,200	2	3.94	5.00	3.781	4.50	7.00	80
9RV6A8	275	30	67,500	30	1,200	3	4.94	5.63	4.410	5.75	8.50	80
9RV6A9	275	40	90,000	40	1,200	4	5.44	6.25	5.031	7.00	9.50	80
9RV6A10	550	20	45,000	5	2,160	2	4.69	5.75	4.470	4.50	7.00	80

**Maximum ratings:**

Continuous body temperature limited to 110°C. Short-term body temperature can reach 150°C.

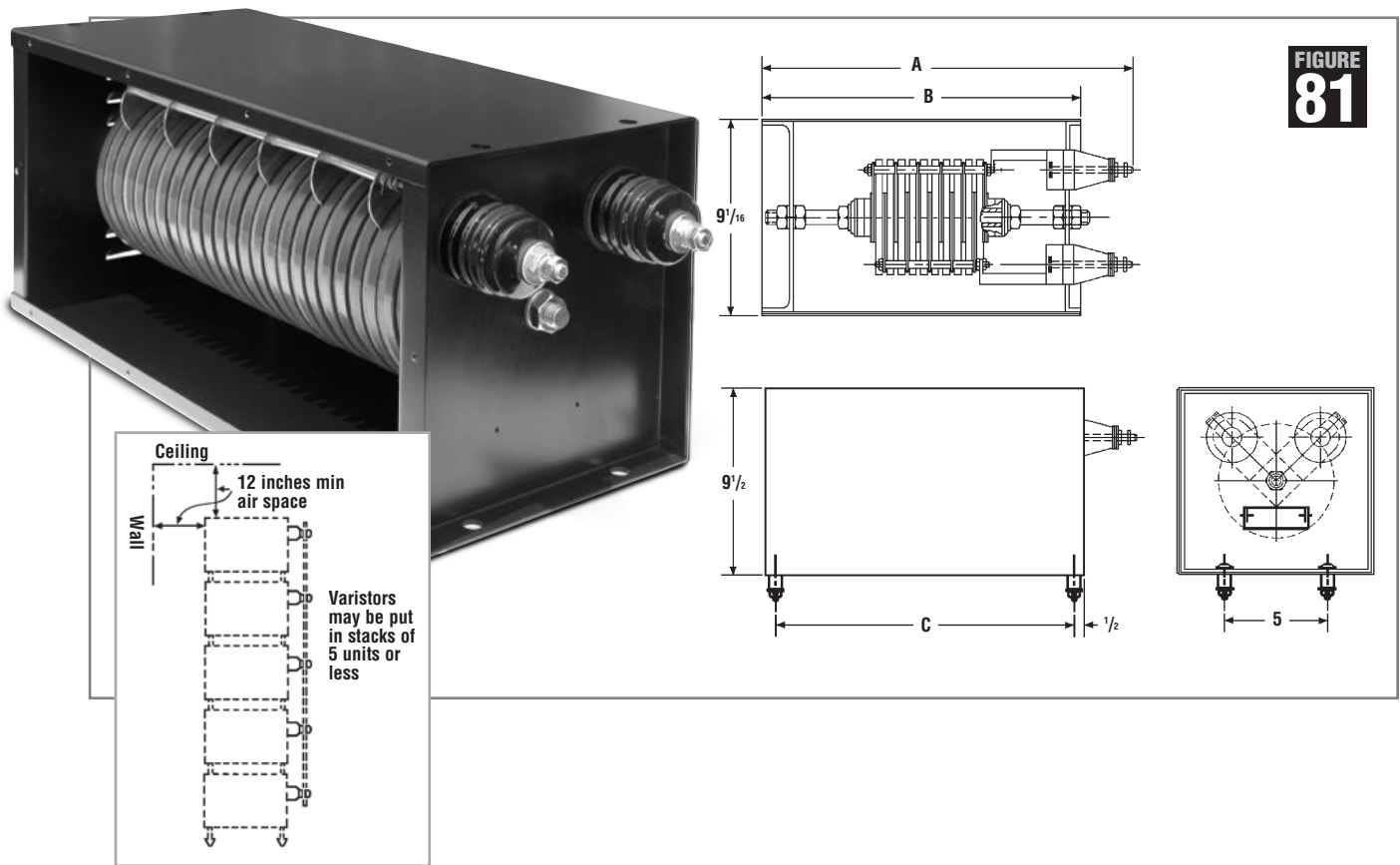
Notes:

<sup>1</sup> AC voltage rating of approximately 90% of the DC voltage rating may be used.

<sup>2</sup> The Discharge Capacity value should not be exceeded by the energy stored in the magnetic or inductive field(W=1/2LI<sup>2</sup>). A discharge of energy equal to the Discharge Capacity value will result in a temperature rise of approximately 80°C.

Most bracket mounted assemblies are also available for stud mounting. Substitute "C" for "A" in catalog number. All varistors are moisture protected with silicone impregnation. See factory for possible variations. All devices are RoHS Compliant

**FIGURE 81**



Part Number	Max. Continuous DC Operating Voltage V <sup>1</sup>	Maximum Continuous Power Rating W	Maximum Discharge Capacity <sup>2</sup> J	Max. Clamping Voltage V <sub>c</sub> @ I <sub>p</sub>		Number of Discs in Assembly	Dimensions in Inches			Approx. Weight		Figure
				V <sub>c</sub> V	I <sub>p</sub> A		A	B	C	Net lbs	Shipping lbs	
<b>9RV6A Series - Silicon Carbide Surge Suppressor Assemblies</b>												
9RV6A50	150	200	450,000	300	780	20	23.50	21.50	20.50	52	59	81
9RV6A51	200	200	450,000	250	990	20	23.88	21.50	20.50	52	59	81
9RV6A52	275	200	450,000	200	1,200	20	23.88	21.50	20.50	52	59	81
9RV6A53	300	240	540,000	170	1,550	24	23.88	21.50	20.50	57	64	81
9RV6A54	400	240	540,000	140	1,900	24	23.88	21.50	20.50	57	64	81
9RV6A55	550	240	540,000	60	2,160	24	23.88	21.50	20.50	57	64	81
9RV6A60	150	100	225,000	150	780	10	17.75	15.75	14.75	33	40	81
9RV6A61	200	100	225,000	125	990	10	17.75	15.75	14.75	33	40	81
9RV6A62	275	100	225,000	100	1,200	10	17.75	15.75	14.75	33	40	81
9RV6A63	300	120	270,000	135	1,550	12	17.75	15.75	14.75	35	42	81
9RV6A64	400	120	270,000	70	1,900	12	17.75	15.75	14.75	35	42	81
9RV6A65	550	120	270,000	30	2,160	12	17.75	15.75	14.75	35	42	81

**Maximum Ratings:**

Continuous body temperature limited to 110°C. Short-term body temperature can reach 150°C.

Notes:

<sup>1</sup> AC voltage rating of approximately 90% of the DC voltage rating may be used.

<sup>2</sup> The Discharge Capacity value should not be exceeded by the energy stored in the magnetic or inductive field ( $W=1/2LI^2$ ). A discharge of energy equal to the Discharge Capacity value will result in a temperature rise of approximately 80°C.

Most bracket mounted assemblies are also available for stud mounting. Substitute "C" for "A" in catalog number. All varistors are moisture protected with silicone impregnation. See factory for possible variations.

All devices are RoHS Compliant