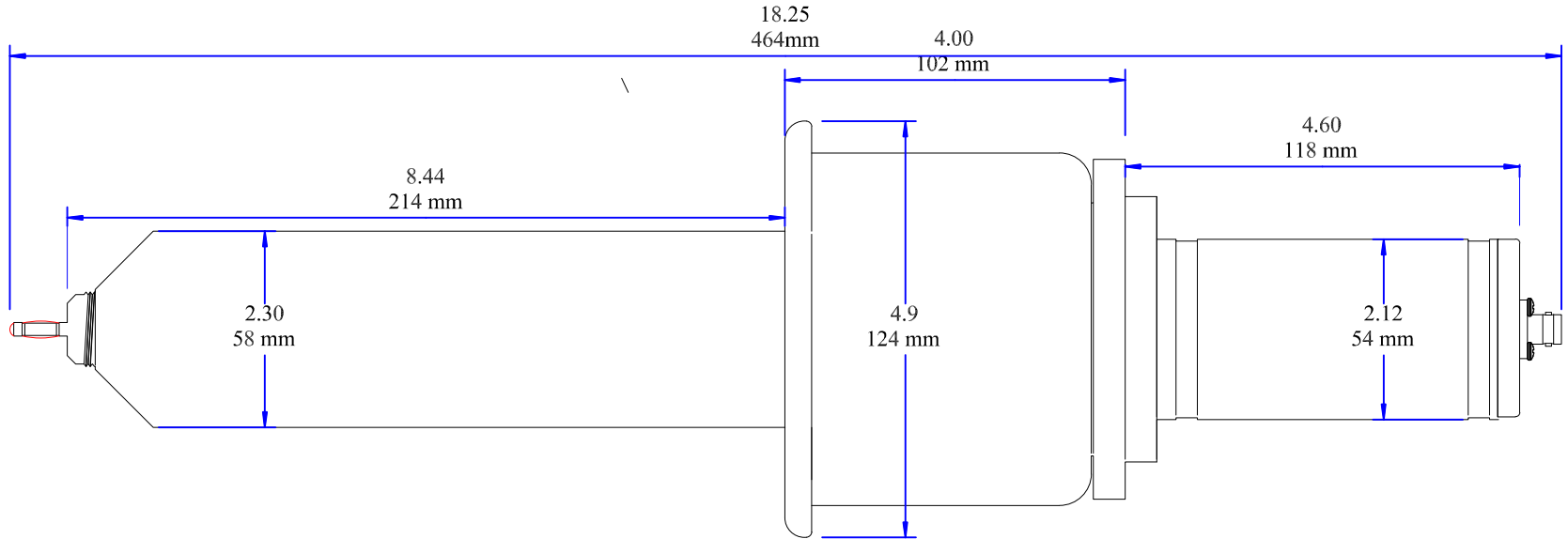


8 | 7 | 6 | 5 | 4 | 3 | 2 | 1

REVISIONS



FILE NO. 21017100A-1	THIS DOCUMENT CONTAINS INFORMATION WHICH IS PROPRIETARY TO MERTH STAR RESEARCH. NO REPRODUCTION OR PUBLICATION OF THIS DOCUMENT, IN WHOLE OR IN PART, SHALL BE MADE WITHOUT WRITTEN AUTHORIZATION FROM MERTH STAR RESEARCH.													
PROJECT NO. 17	UNLESS OTHERWISE SPECIFIED: ALL DIMENSIONS ARE IN INCHES AND THE FOLLOWING TOLERANCES ARE HELD													
DIMENSIONS	±.02 ±.01 ±.005													
ANGLES	±.01													
<table border="1"> <tr> <td>DATE</td> <td>5/16/17</td> </tr> <tr> <td>APP. BY</td> <td></td> </tr> <tr> <td>SCALE</td> <td>N/A</td> </tr> </table>		DATE	5/16/17	APP. BY		SCALE	N/A	<table border="1"> <tr> <td>TITLE</td> <td>PVM-5 Outline</td> </tr> <tr> <td>SIZE (DWG NO.)</td> <td>D 1017100A-00</td> </tr> <tr> <td>SHEET</td> <td>1 OF 22</td> </tr> </table>	TITLE	PVM-5 Outline	SIZE (DWG NO.)	D 1017100A-00	SHEET	1 OF 22
DATE	5/16/17													
APP. BY														
SCALE	N/A													
TITLE	PVM-5 Outline													
SIZE (DWG NO.)	D 1017100A-00													
SHEET	1 OF 22													

ITEM	PART #	PARTS DESCRIPTION	QTY
1			1
2			1

8 | 7 | 6 | 5 | 4 | 3 | 2 | 1

8

7

6

5

4

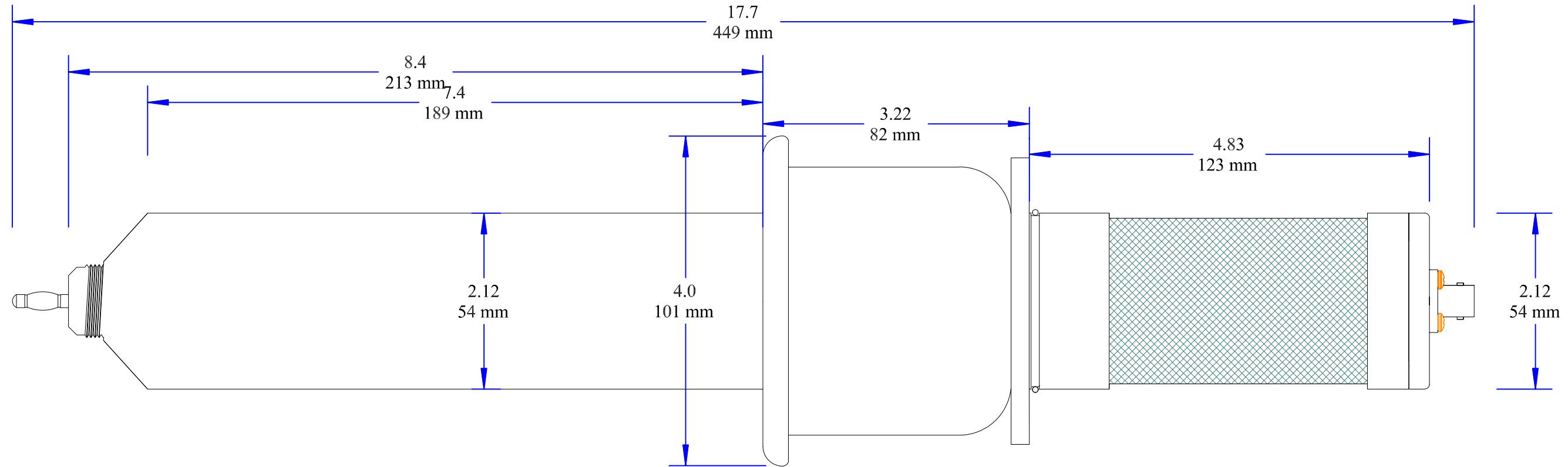
3

2

1

1

REVISIONS				
REV	DESCRIPTION	ECD	DATE	APRVD
1	Version with Screw Type "Nose"		5/20/19	RJA



8

7

6

5

4

3

2

1

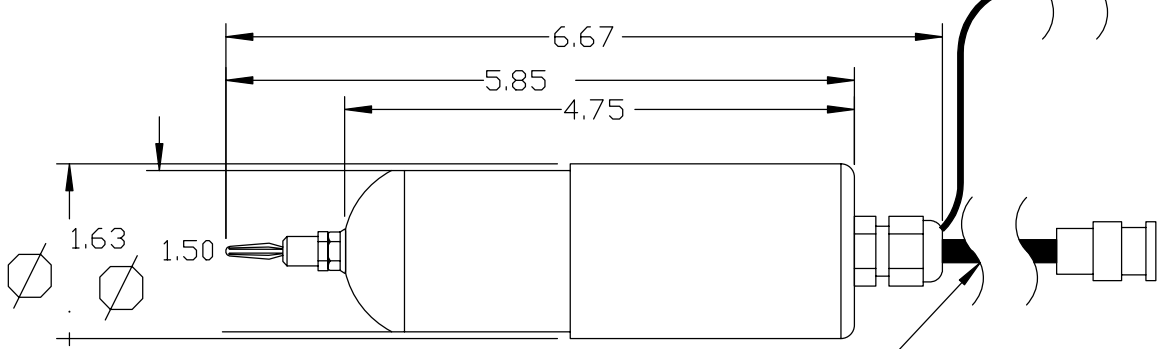
1

FILE NO. 2117100A-10a	THIS DOCUMENT CONTAINS INFORMATION WHICH IS PROPRIETARY TO NORTH STAR RESEARCH. NO REPRODUCTION OR PUBLICATION OF THIS DOCUMENT, IN WHOLE OR IN PART, SHALL BE MADE WITHOUT WRITTEN AUTHORIZATION FROM NORTH STAR RESEARCH.	
PROJECT NO. 17	UNLESS OTHERWISE SPECIFIED: ALL DIMENSIONS ARE IN INCHES AND THE FOLLOWING TOLERANCES ARE HELD	
PLACES IN DIMENSION: .x .xx .xxx	DIMENSIONS: ±.02 ±.01 ±.005	<b>TITLE</b> <b>PVM-1, 2, 3, 4</b> <b>Probe Outline</b>
ANGLES: ±5°	THIRD ANGLE PROJECTION	
DRAWN BY: SF	DATE: Jan 19, 2020	<b>SIZE</b> DWG NO. <b>D</b> 2117100A-00
APP. BY:	DATE:	
SCALE: N/A	SHEET: 14 OF 20	

REV		CHANGE		REVISIONS		ECD	DATE	APPROV



12" GROUND LEAD



PVM-10/11

15' OF CABLE



ITEM	PART NO.	DESCRIPTION	QTY
BILL OF MATERIAL			
FILE NO.	0017060B	NO CHANGE ORDER NUMBER	
REVISION NO.	17	NO CHANGE ORDER NUMBER	
UNLESS OTHERWISE SPECIFIED ALL DIMENSIONS ARE IN INCHES AND THE FOLLOWING TOLERANCES ARE USED:			
FINISH	AS SUPPLIED	UNLESS OTHERWISE SPECIFIED	
PLACEMENT IN DRAWING	AS SHOWN	UNLESS OTHERWISE SPECIFIED	
DATE	8/9/00	DATE	
BY		DATE	
CHKD BY		DATE	
APP. BY		DATE	
REVISIONS	NONE	DATE	
DRAWN BY: NONE		SHEET 1 OF 1	



PVM12 SALES DRAWING  
0017060B

