



# HVP

High Voltage Products. High Voltage Experts.

## PMT Series

Regulated, Adjustable, Microsize  
DC / DC High Voltage Power Supplies

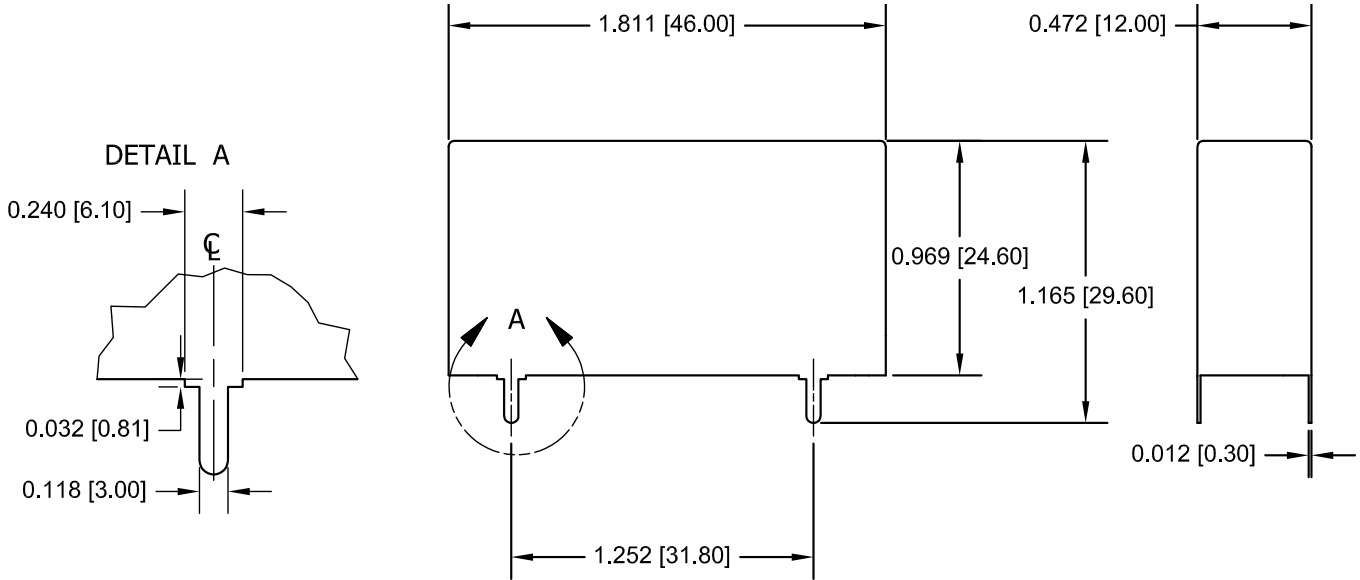
### Features

- Low Ripple
- Short Circuit Protected
- Reversed Input Protected
- Small Size
- Excellent Stability

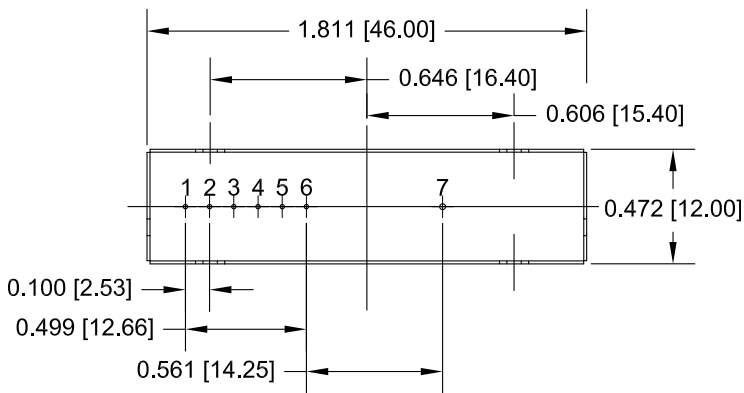


| Conditions                      |                              | Value                             |      |      |           |     |   |           |      |     |           |      |      | Units |
|---------------------------------|------------------------------|-----------------------------------|------|------|-----------|-----|---|-----------|------|-----|-----------|------|------|-------|
| <b>Input</b>                    |                              |                                   |      |      |           |     |   |           |      |     |           |      |      |       |
| <b>Input Voltage</b>            |                              | 12                                |      |      | 15        |     |   | 24        |      |     |           |      |      | VDC   |
| <b>Input Current</b>            | At Max Load                  | 150                               |      |      | 150       |     |   | 120       |      |     |           |      |      | mA    |
| <b>Output</b>                   |                              |                                   |      |      |           |     |   |           |      |     |           |      |      |       |
| <b>Voltage Range</b>            | Primary Output               | 0 to 600                          |      |      | 0 to 1000 |     |   | 0 to 1250 |      |     | 0 to 1500 |      |      | VDC   |
| <b>Current</b>                  | Max Load                     | 0.83                              | 1.33 | 1.67 | 0.5       | 0.8 | 1 | 0.4       | 0.64 | 0.8 | 0.33      | 0.53 | 0.67 | mA    |
| <b>Power</b>                    |                              | 0.5                               | 0.8  | 1    | 0.5       | 0.8 | 1 | 0.5       | 0.8  | 1   | 0.5       | 0.8  | 1    | W     |
| <b>Ripple (p-p)</b>             | Max Load                     | < 0.005                           |      |      |           |     |   |           |      |     |           |      | %    |       |
| <b>Load Regulation</b>          | From No Load to Full Load    | < 0.02                            |      |      |           |     |   |           |      |     |           |      | %    |       |
| <b>Line Regulation</b>          |                              | < 0.01                            |      |      |           |     |   |           |      |     |           |      | %    |       |
| <b>Polarity</b>                 |                              | Fixed Positive and Fixed Negative |      |      |           |     |   |           |      |     |           |      | -    |       |
| <b>Control &amp; Monitoring</b> |                              |                                   |      |      |           |     |   |           |      |     |           |      |      |       |
| <b>Output Voltage Control</b>   |                              | 0 to 5                            |      |      |           |     |   |           |      |     |           |      | V    |       |
| <b>Reference Voltage</b>        |                              | 5                                 |      |      |           |     |   |           |      |     |           |      | V    |       |
| <b>Voltage Monitor</b>          |                              | 1                                 |      |      |           |     |   |           |      |     |           |      | V/kV |       |
| <b>Environmental</b>            |                              |                                   |      |      |           |     |   |           |      |     |           |      |      |       |
| <b>Operating Temperature</b>    | Case Temp, Full Load, Max Vo | -10 to +65                        |      |      |           |     |   |           |      |     |           |      | °C   |       |
| <b>Temperature Coefficient</b>  |                              | 0.01                              |      |      |           |     |   |           |      |     |           |      | %/°C |       |
| <b>Storage Temperature</b>      |                              | -40 to +85                        |      |      |           |     |   |           |      |     |           |      | °C   |       |
| <b>Operational Humidity</b>     | Non-Condensing               | 5 to 95%                          |      |      |           |     |   |           |      |     |           |      | RH   |       |

**Case Diagram**



**Pin Dimensions & Assignments**



| PIN ASSIGNMENT |                        |
|----------------|------------------------|
| 1              | V <sub>IN</sub>        |
| 2              | Gnd                    |
| 3              | Gnd                    |
| 4              | Control Voltage        |
| 5              | V <sub>REF</sub> = +5V |
| 6              | V <sub>MON</sub>       |
| 7              | HV Output              |

(Drilling Data for PC Board – Soldering Face)



**Models**

| Part Number      | Input Voltage | Output Voltage | Polarity | Output Power | Output Current |
|------------------|---------------|----------------|----------|--------------|----------------|
| PMT-12-600P-0.5  | 12 VDC        | 0 to 600 V     | Positive | 0.5 W        | 0.83 mA        |
| PMT-12-600N-0.5  | 12 VDC        | 0 to -600 V    | Negative | 0.5 W        | 0.83mA         |
| PMT-12-1000P-0.5 | 12 VDC        | 0 to 1,000 V   | Positive | 0.5 W        | 0.50 mA        |
| PMT-12-1000N-0.5 | 12 VDC        | 0 to -1,000 V  | Negative | 0.5 W        | 0.50 mA        |
| PMT-12-1250P-0.5 | 12 VDC        | 0 to 1,250 V   | Positive | 0.5 W        | 0.40 mA        |
| PMT-12-1250N-0.5 | 12 VDC        | 0 to -1,250 V  | Negative | 0.5 W        | 0.40 mA        |
| PMT-12-1500P-0.5 | 12 VDC        | 0 to 1,500 V   | Positive | 0.5 W        | 0.33 mA        |
| PMT-12-1500N-0.5 | 12 VDC        | 0 to -1,500 V  | Negative | 0.5 W        | 0.33 mA        |
| PMT-15-600P-0.8  | 15 VDC        | 0 to 600 V     | Positive | 0.8 W        | 1.33 mA        |
| PMT-15-600N-0.8  | 15 VDC        | 0 to -600 V    | Negative | 0.8 W        | 1.33 mA        |
| PMT-15-1000P-0.8 | 15 VDC        | 0 to 1,000 V   | Positive | 0.8 W        | 0.80 mA        |
| PMT-15-1000N-0.8 | 15 VDC        | 0 to -1,000 V  | Negative | 0.8 W        | 0.80 mA        |
| PMT-15-1250P-0.8 | 15 VDC        | 0 to 1,250 V   | Positive | 0.8 W        | 0.64 mA        |
| PMT-15-1250N-0.8 | 15 VDC        | 0 to -1,250 V  | Negative | 0.8 W        | 0.64 mA        |
| PMT-15-1500P-0.8 | 15 VDC        | 0 to 1,500 V   | Positive | 0.8 W        | 0.53 mA        |
| PMT-15-1500N-0.8 | 15 VDC        | 0 to -1,500 V  | Negative | 0.8 W        | 0.53 mA        |
| PMT-24-600P-1    | 24 VDC        | 0 to 600 V     | Positive | 1.0 W        | 1.67 mA        |
| PMT-24-600N-1    | 24 VDC        | 0 to -600 V    | Negative | 1.0 W        | 1.67 mA        |
| PMT-24-1000P-1   | 24 VDC        | 0 to 1,000 V   | Positive | 1.0 W        | 1.00 mA        |
| PMT-24-1000N-1   | 24 VDC        | 0 to -1,000 V  | Negative | 1.0 W        | 1.00 mA        |
| PMT-24-1250P-1   | 24 VDC        | 0 to 1,250 V   | Positive | 1.0 W        | 0.80 mA        |
| PMT-24-1250N-1   | 24 VDC        | 0 to -1,250 V  | Negative | 1.0 W        | 0.80 mA        |
| PMT-24-1500P-1   | 24 VDC        | 0 to 1,500 V   | Positive | 1.0 W        | 0.67 mA        |
| PMT-24-1500N-1   | 24 VDC        | 0 to -1,500 V  | Negative | 1.0 W        | 0.67 mA        |

**Certifications**

