

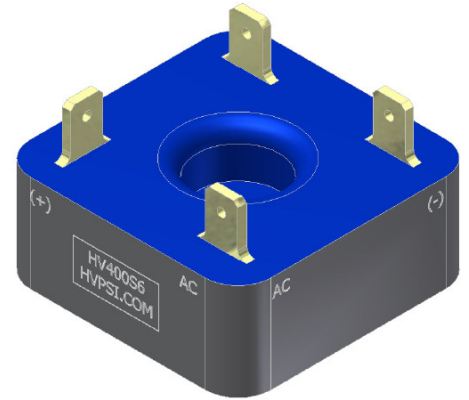
Part Number	Repetitive Peak Reverse Voltage V_{RRM} Per Leg V	Avg. Forward Current Max. I_{FAVM} @ $T_C = 55^\circ C$ A	Max. Forward Voltage Drop $V_F @ 0.5 I_{FAVM}$ Per Leg V	Max. Reverse Current $I_R @ V_{RRM} @ 25^\circ C$ μA	Max. Surge Current I_{FSM} (8.3ms) A	Max. Reverse Recovery Time T_{RR} nS	Case Length L Inches	Figure
HVFWB - Standard Recovery 1.0 and 3.0 Amp Glass Passivated Rectifiers								
2HVFWB5KB	5000	2.0	4.8	0.5	50	-	1.25	22
2HVFWB8KB	8000	2.0	7.2	0.5	50	-	1.25	22
2HVFWB5KC	5000	2.0	4.8	0.5	50	-	1.5	23
2HVFWB10KC	10000	2.0	8.4	0.5	50	-	1.5	23
2HVFWB10KD	10000	2.0	8.4	0.5	50	-	2.0	23
2HVFWB15KD	15000	2.0	12.0	0.5	50	-	2.0	23
2HVFWB15KE	15000	2.0	12.0	0.5	50	-	2.5	23
2HVFWB20KE	20000	2.0	18.0	0.5	50	-	2.5	23
5HVFWB5KC	5000	5.0	5.2	0.5	150	-	1.5	23
5HVFWB7.5KD	7500	5.0	6.5	0.5	150	-	2.0	23
5HVFWB5KE	5000	5.0	5.2	0.5	150	-	2.5	23
5HVFWB10KE	10000	5.0	10.4	0.5	150	-	2.5	23
5HVFWB15KE	15000	5.0	13.0	0.5	150	-	2.5	23
HVFWB F - Fast Recovery 1.0 and 3.0 Amp Glass Passivated Rectifiers								
1HVFWB5KBF	5000	1.0	7.2	0.3	20	250	1.25	22
1HVFWB10KBF	10000	1.0	14.4	0.3	20	250	1.25	22
1HVFWB5KCF	5000	1.0	7.2	0.3	20	250	1.5	23
1HVFWB10KCF	10000	1.0	14.4	0.3	20	250	1.5	23
2HVFWB5KDF	5000	2.0	6.5	1.0	50	150	2.0	23
2HVFWB10KDF	10000	2.0	13.0	1.0	50	150	2.0	23
2HVFWB10KEF	10000	2.0	13.0	1.0	50	150	2.5	23
2HVFWB15KEF	15000	2.0	20.0	1.0	50	150	2.5	23
4HVFWB5KCF	5000	4.0	7.0	0.5	100	250	1.5	23
4HVFWB5KDF	5000	4.0	7.0	0.5	100	250	2.0	23
5HVFWB5KEF	5000	5.0	7.5	0.5	100	250	2.5	23
4HVFWB10KEF	10000	4.0	14.0	0.5	100	250	2.5	23
HVFWB UF - Ultra Fast Recovery T_{RR} 75 nS 1.0 and 3.0 Amp Rectifiers								
2HVFWB5KBUF	5000	2.0	8.0	1.0	35	75	1.25	22
2HVFWB8KBUF	8000	2.0	13.0	1.0	35	75	1.25	22
2HVFWB5KCUF	5000	2.0	8.0	1.0	35	75	1.5	23
2HVFWB10KCUF	10000	2.0	16.0	1.0	35	75	1.5	23
2HVFWB10KDUF	10000	2.0	16.0	1.0	35	75	2.0	23
2HVFWB15KDUF	15000	2.0	24.0	1.0	35	75	2.0	23
2HVFWB15KEUF	15000	2.0	24.0	1.0	35	75	2.5	23
2HVFWB20KEUF	20000	2.0	32.0	1.0	35	75	2.5	23
4HVFWB5KCUF	5000	4.0	7.0	5.0	150	75	1.5	23
4HVFWB5KDUF	5000	4.25	7.0	5.0	150	75	2.0	23
4HVFWB8KDUF	8000	4.0	11.2	5.0	150	75	2.0	23
4HVFWB10KEUF	10000	4.25	14.0	5.0	150	75	2.5	23
4HVFWB15KEUF	15000	4.0	21.0	5.0	150	75	2.5	23
HVFWB USF - Ultra Super Fast Recovery T_{RR} 35 nS 1.0 Amp Rectifiers								
1HVFWB5KBUSF	5000	1.0	7.0	1.0	10	35	1.25	22
1HVFWB5KCUSF	5000	1.0	7.0	1.0	10	35	1.5	23
1HVFWB8KCUSF	8000	1.0	11.2	1.0	10	35	1.5	23
1HVFWB10KDUFSF	10000	1.0	14.0	1.0	10	35	2.0	23
1HVFWB15KDUFSF	15000	0.9	21.0	1.0	10	35	2.0	23
1HVFWB15KEUSF	15000	1.0	21.0	1.0	10	35	2.5	23
1HVFWB20KEUSF	20000	0.9	28.0	1.0	10	35	2.5	23
HVFWB USF - Ultra Super Fast Recovery T_{RR} 40 nS 2.0 Amp Rectifiers								
3HVFWB5KCUFSF	5000	3.0	10.0	5.0	60	40	1.5	23
3HVFWB5KDUFSF	5000	3.0	10.0	5.0	60	40	2.0	23
3HVFWB10KDUFSF	10000	2.75	20.0	5.0	60	40	2.0	23
3HVFWB10KEUSF	10000	3.0	20.0	5.0	60	40	2.5	23
3HVFWB15KEUSF	15000	2.75	30.0	5.0	60	40	2.5	23

Note: All current ratings require assembly on suitably engineered heat sink, using a quality heat coupling compound. For Solder Turrets Add Suffix "T" For Wire Leads Add Suffix "W". All listed products shipped on December 31, 2013 or later will be RoHS Compliant. Available earlier by special request, contact factory or sales rep for availability.



HVP
High Voltage Products. High Voltage Experts.

HV400-SERIES BRIDGE RECTIFIER



Effective June 1, 2012

Features:

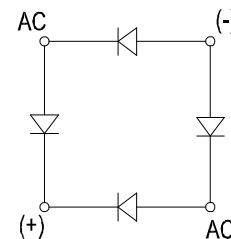
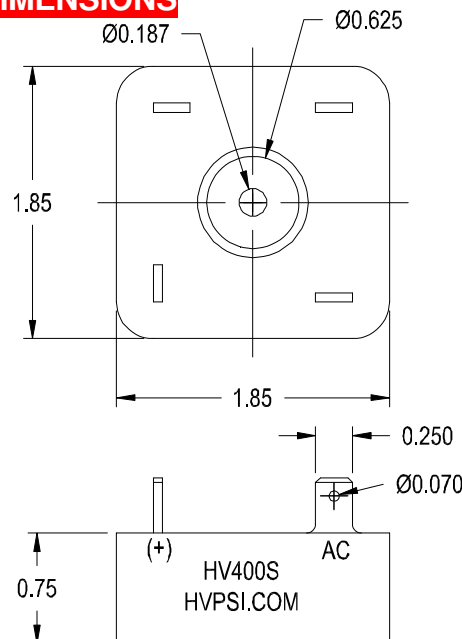
- Controlled avalanche junctions in standard recovery types
- Recovery times of 300 nsec in fast recovery types
- Designed for high temperature operation
- High surge capability

ELECTRICAL CHARACTERISTICS AND RATINGS

		STANDARD RECOVERY					FAST RECOVERY					
ELECTRICAL CHARACTERISTICS	SYMBOL	HV400S					HV400F					UNITS
		S2	S4	S6	S8	S10	F2	F4	F6	F8	F10	
Repetitive Peak Reverse Voltage & Continuous Reverse Voltage	V_{RRM}, V_R	2	4	6	8	10	2	4	6	8	10	kV
Average Forward Current	I_O	1500	650	650	500	500	650	450	330	300	250	mA
Peak Surge Current, Non-Repetitive, ½ cycle, 60 Hz	I_{FSM}	20					15					A
Storage and Operating Temperatures	T_{STG}, T_J	-55 to +150					-55 to +150					°C

		STANDARD RECOVERY					FAST RECOVERY					
ELECTRICAL CHARACTERISTICS	SYMBOL	HV400S					HV400F					UNITS
		S2	S4	S6	S8	S10	F2	F4	F6	F8	F10	
Max. Instantaneous Forward Voltage, $I_F = 0.100$ Amp	V_{FM}	3.0	9.0	9.0	15.0	15.0	7.0	10.0	16.0	16.0	20.0	V
Max. Reverse Current @ V_{RRM}	I_{RM}	1.0					1.0					μA
Max. Reverse Recovery Time, $I_F = 1$ Amp, $-di/dt = 20$ A/μsec	T_{RR}	2.5 Typ					0.300					μsec

CASE OUTLINE AND DIMENSIONS



Version: 1.0