

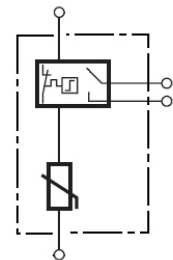


**THERMALLY PROTECTED MOV**

Surge suppressor with thermal protection designed to open in the event of overheating due to the abnormal over-voltage, limited current conditions.

**FEATURES:**

- Quick thermal response and perfect circuit cutoff function due to special thermal disconnecter design with arc extinguishing device.
- Wide operating temperature range and high reliability.
- High surge current capability.
- Low leakage current.
- Floating remote signaling contact for fault alarm.
- Application in the AC mains, service entrance, and heavy industrial etc.
- Medium current 100A, 500A, 1000A
- SCCR 200KArms
- UL1449 4<sup>th</sup> edition approved for Type 1 or 2 and CSA for Type 2.



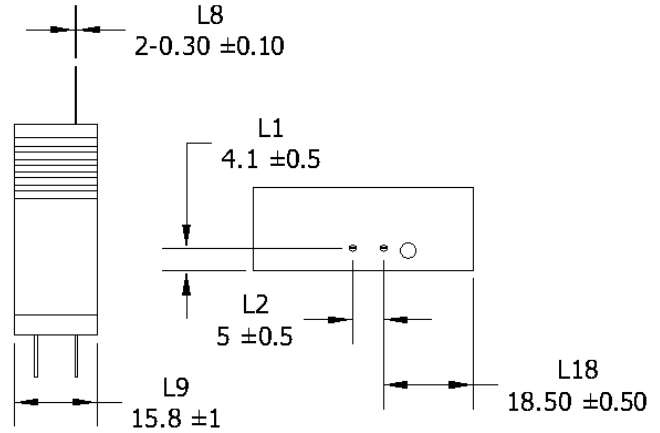
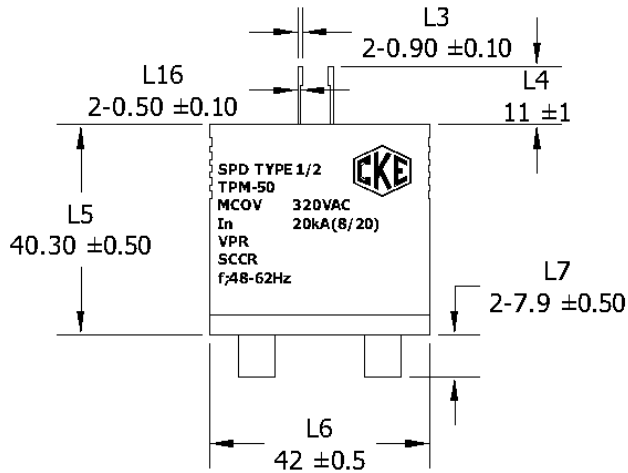
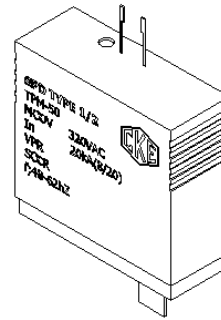
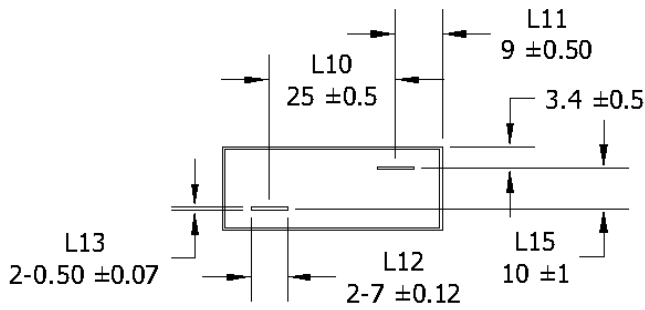
**ELECTRICAL RATINGS & SPECIFICATIONS**

TYPE	Continuous		Surge Current		Varistor Voltage @1mA	VPR
	V <sub>RMS</sub> (V)	V <sub>DC</sub> (V)	x 1 time @ 8/20	In 15 times @ 8/20	V1mA(V)	
TPM-50-150	150	200	50KA	20KA	228-270	600V
TPM-50-180	180	230	50KA	20KA	250-310	600V
TPM-50-275	275	350	50KA	20KA	409-475	800V
TPM-50-420	420	560	50KA	20KA	646-748	1500V
TPM-50-550	550	745	50KA	20KA	820-1000	1500V
TPM-40-690	690	910	40KA	20KA	1000-1250	2000V

Operating Temperature	-40°C ~ +85°C
Electric Strength	≥ 2500V (AC)
Insulation Resistance	≥ 10 MOhm
Response Time	≤ 25 nS



**CASE OUTLINE AND DIMENSIONS**



**Certifications:**



Conforms to UL1449 4<sup>th</sup> edition.  
Approved for Type 1 or 2 and CSA for Type 2  
File No. E319342