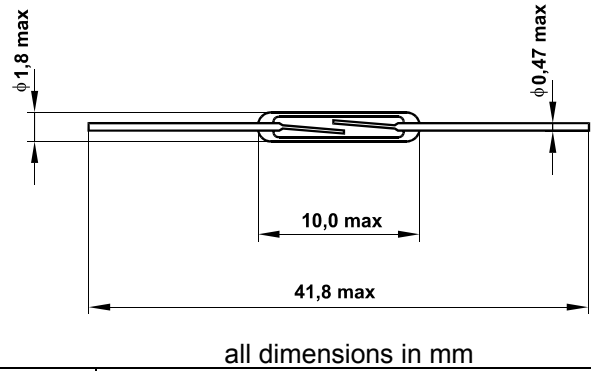




High Voltage Products. High Voltage Experts.

Miniature reed switch ZM-110/II
 This product is in accordance with RoHs



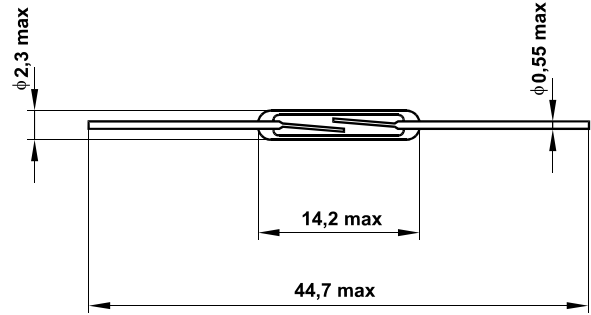
PARAMETERS	Unit	TYPE	
		ZM-110/II	
Contact form		normally open	
Contact material		Ru	
Switching power	max W	10	
Switching current	max A	0.5	
Pull-in Ampere turns	AT	10 ÷ 30	
Switching voltage	max V _{DC}	150	
Breakdown voltage	min V _{DC}	200	
Contact resistance	max mΩ	150	
Operate time	max ms	0.5	
Release time	max ms	0.3	
Capacitance	max pF	0.5	
Insulation resistance	min Ω	10 ⁹	
Resonant frequency	min Hz	5000	
Environment category acc. to IEC 68-1		55/100/10	
Operating life tested with resistive loads		1x10 ⁵ operations 5x10 ⁶ operations 5x10 ⁶ operations	
Test coil		CP-14	
- No. of turns		10000 φ 0.06	acc. Polish Standard
- Dimensions	mm	φ 4.2x19	PN-75/T-04400
- Resistance	Ω	1400	



High Voltage Products. High Voltage Experts.

Miniature reed switch ZM-140/II

This product is in accordance with RoHs



all dimensions in mm

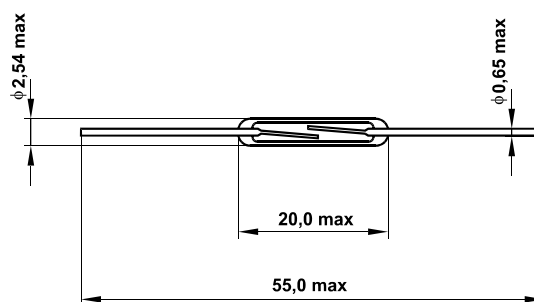
PARAMETERS	Unit	TYPE	
		ZM-140/II	
Contact form		normally open	
Contact material		Ru	
Switching power	max W	10	
Switching current	max A	0.5	
Pull-in Ampere turns	AT	10÷20	20÷35
Switching voltage	max V_{DC}	100	100
Breakdown voltage	min V_{DC}	200	250
Contact resistance	max $m\Omega$	100	
Operate time	max ms	1	
Release time	max ms	0.4	
Capacitance	max pF	0.7	
Insulation resistance	min Ω	10^9	
Resonant frequency	min Hz	4000	
Environment category acc. to IEC 68-1		55/100/10	
Operating life tested with resistive loads Load 1 5 V_{DC} , 10 mA Load 2 24 V_{DC} , 400 mA		1x 10^8 operations 5x 10^5 operations	
Test coil - No. of turns - Dimensions - Resistance	mm Ω	CP-14 10000 ϕ 0.06 ϕ 4.2x19 1400	acc. Polish Standard PN-75/T-04400



High Voltage Products. High Voltage Experts.

Miniature reed switch ZM-109/II

This product is in accordance with RoHS



all dimensions in mm

PARAMETERS	Unit	TYPE	
		ZM-109/II	
Contact form		normally open	
Contact material		Ru	
Switching power	max	W	10
Switching current	max	A	0.5
Switching voltage	max	V _{DC}	180
Pull-in Ampere turns		AT	10÷20 20÷40
Breakdown voltage	min	V _{DC}	220 280
Contact resistance	max	mΩ	150
Operate time	max	ms	1
Release time	max	ms	0.3
Capacitance	max	pF	0.5
Insulation resistance	min	Ω	10 ⁹
Resonant frequency	min	Hz	2600
Environment category acc. to IEC 68-1			55/100/10
Operating life tested with resistive loads Load 1 24 V _{DC} , 250 mA Load 2 5 V _{DC} , 10 mA			1x10 ⁶ operations 1x10 ⁷ operations
Test coil - No. of turns - Dimensions - Resistance		mm Ω	CP-14 10000 φ 0.06 acc. Polish Standard φ 4.2x19 PN-75/T-04400 1400