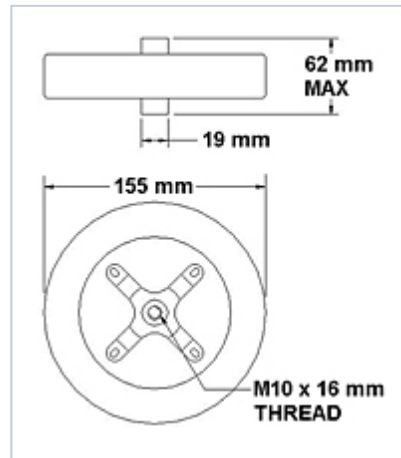
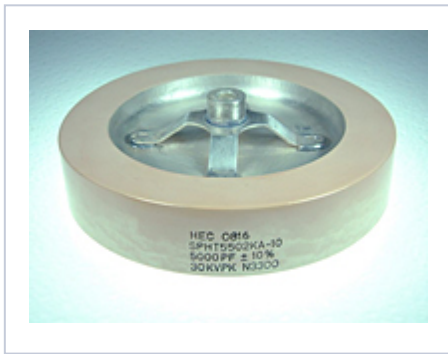


SPHT 155 mm Diameter Power Disk Ceramic Capacitors

- Up to 30 kV_{DC} Working Voltage
- Up to 90 kVA Power Rating
- 50 to 7000 pF Capacitance
- 70, 100, 140 and 165 mm Diameters
- Choice of four Class I TC's



<u>Part Number</u>	<u>CAP</u>	<u>Dielectric (TC)</u>	<u>V_{MAX} (DC)</u>	<u>f_L</u>	<u>S_{MAX}</u>	<u>f_H</u>	<u>I_{MAX} (RMS)</u>
<u>SPHT5501MA-10</u>	500 pF	NP0	30 kV	0.0530 MHz	75 kV·A	0.662 MHz	12.5 A
<u>SPHT5751MA-10</u>	750 pF	NP0	30 kV	0.0353 MHz	75 kV·A	0.442 MHz	12.5 A
<u>SPHT5102MA-10</u>	1000 pF	NP0	30 kV	0.0318 MHz	90 kV·A	0.397 MHz	15 A
<u>SPHT5152MA-10</u>	1500 pF	N800	30 kV	0.0212 MHz	90 kV·A	0.265 MHz	15 A
<u>SPHT5202MA-10</u>	2000 pF	N800	30 kV	0.0159 MHz	90 kV·A	0.199 MHz	15 A
<u>SPHT5252MA-10</u>	2500 pF	N800	30 kV	0.0127 MHz	90 kV·A	0.159 MHz	15 A

<u>Part Number</u>	<u>CAP</u>	<u>Dielectric (TC)</u>	<u>V_{MAX} (DC)</u>	<u>f_L</u>	<u>S_{MAX}</u>	<u>f_H</u>	<u>I_{MAX} (RMS)</u>
<u>SPHT5302MA-10</u>	3000 pF	N800	30 kV	0.0106 MHz	90 kV·A	0.132 MHz	15 A
<u>SPHT5402MA-10</u>	4000 pF	N3300	30 kV	0.00795 MHz	90 kV·A	0.0994 MHz	15 A
<u>SPHT5502MA-10</u>	5000 pF	N3300	30 kV	0.00636 MHz	90 kV·A	0.0795 MHz	15 A
<u>SPHT5602MA-10</u>	6000 pF	N3300	30 kV	0.0053 MHz	90 kV·A	0.0662 MHz	15 A
<u>SPHT5702MA-10</u>	7000 pF	N3300	30 kV	0.00454 MHz	90 kV·A	0.0568 MHz	15 A
<u>SPHT155MM CUSTOM</u>	500 to 7000 pF	N/A	N/A	N/A	N/A	N/A	N/A