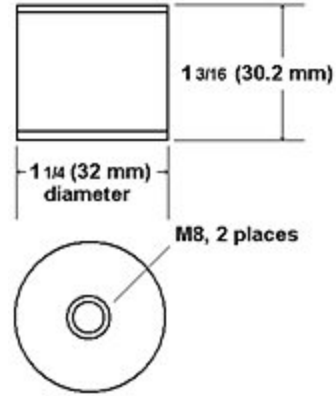


## CHN6 Series Metallized Film Capacitors

- Up to 1000 V<sub>RMS</sub> Working Voltage
- 120 kVA Max Power
- Up to 125 A<sub>RMS</sub> Max Current
- Conduction Cooled



<u>Part Number</u>	<u>CAP</u>	<u>V<sub>MAX</sub>(RMS)</u>	<u>f<sub>L</sub></u>	<u>S<sub>MAX</sub></u>	<u>f<sub>H</sub></u>	<u>I<sub>MAX</sub>(RMS)</u>	<u>f<sub>MAX</sub></u>
<a href="#">CHN6003M</a>	0.03 μF	1000 V	636 kHz	120 kV·A	690 kHz	125 A	10000 kHz
<a href="#">CHN6006M</a>	0.06 μF	1000 V	318 kHz	120 kV·A	345 kHz	125 A	1000 kHz
<a href="#">CHN6009M</a>	0.09 μF	900 V	262 kHz	120 kV·A	331 kHz	150 A	1000 kHz
<a href="#">CHN6017M</a>	0.17 μF	800 V	175 kHz	120 kV·A	175 kHz	150 A	1000 kHz
<a href="#">CHN6025M</a>	0.25 μF	800 V	119 kHz	120 kV·A	162 kHz	175 A	1000 kHz
<a href="#">CHN6033M</a>	0.33 μF	700 V	118 kHz	120 kV·A	161 kHz	200 A	1000 kHz
<a href="#">CHN6066M</a>	0.66 μF	600 V	80 kHz	120 kV·A	102 kHz	225 A	1000 kHz
<a href="#">CHN6120M</a>	1.2 μF	450 V	79 kHz	120 kV·A	83 kHz	275 A	1000 kHz
<a href="#">CHN6 CUSTOM</a>	N/A	N/A	N/A	N/A	N/A	N/A	N/A