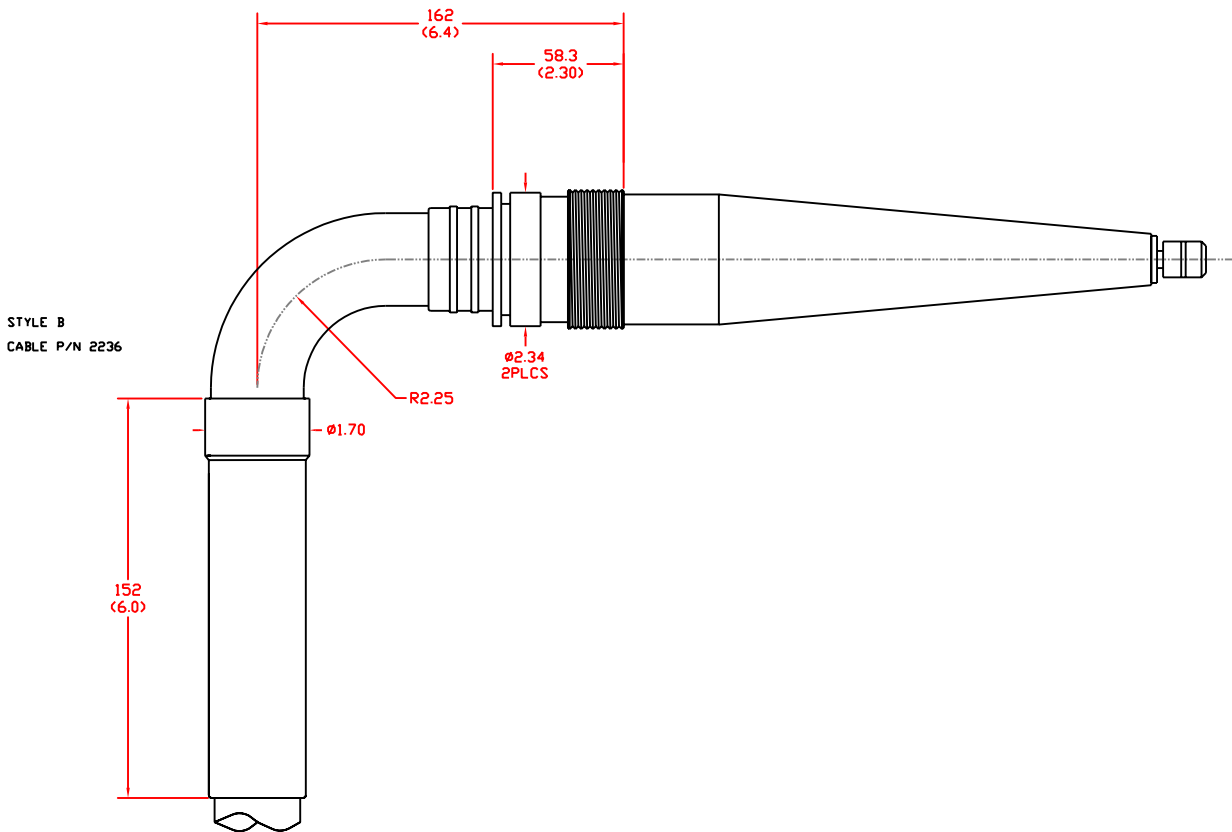
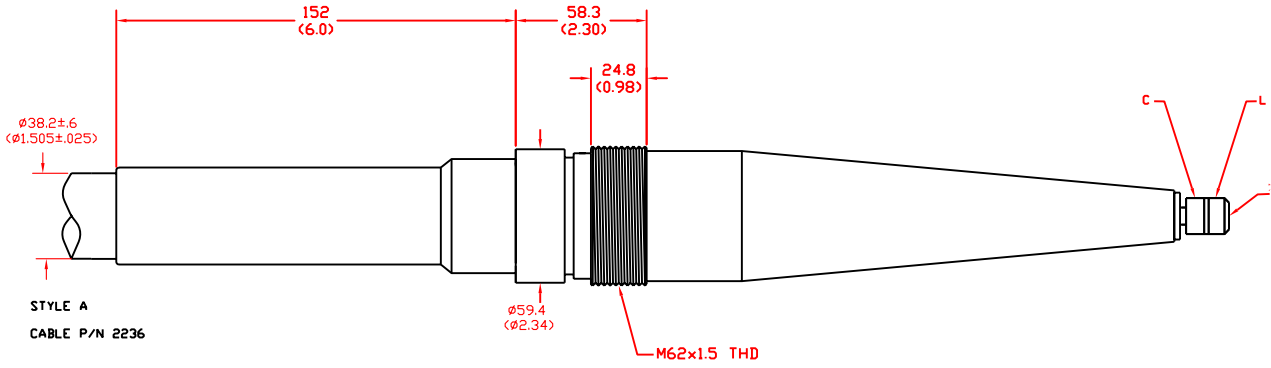


TYPE R30
 OPERATING VOLTAGE- 300KVDC



R30 RECEPTACLE

OPERATING VOLTAGE- 300KVDC MAX
DESIGNED FOR USE IN OIL, INSULATING GAS & POTTING MATERIAL

