

## High Voltage AC & DC Film Capacitors

FOR POWER ELECTRONICS APPLICATIONS



Aerovox high voltage capacitors are constructed with metallized polypropylene film and are available in round or oval aluminum cases with four-blade quick disconnect terminals as standard. Special terminals and steel cases are available on request.

### Highlights

- High voltage up to 1,200 VAC (2,000 VDC)
- UL and cUL file number E51176
- Designed for >60,000 hours operational life
- Oil-filled with an environmentally "green" fluid
- Pressure interrupter meets UL810 requirements



### Applications

- Switching Power Supply
- Inverters / Converters
- Heavy Duty Motor Run
- High Current Lighting
- UPS Systems

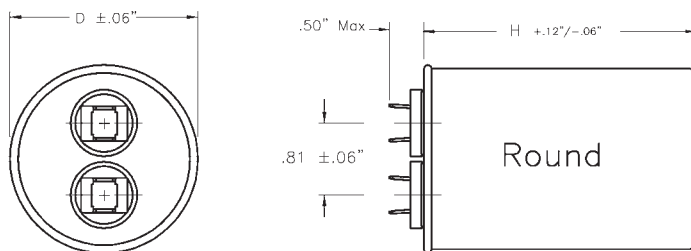
### Specifications

<b>Capacitance Range:</b>	0.25 $\mu$ F to 80 $\mu$ F*
<b>Capacitance Tolerance:</b>	$\pm$ 3% to $\pm$ 10%
<b>AC Voltage Range:</b>	660 VAC to 1,200 VAC*
<b>DC Voltage Range:</b>	1,200 VDC to 2,000 VDC
<b>Operating Temperature:</b>	-40°C to +90°C
<b>Dissipation Factor:</b>	0.1% max @ 60 Hz and 25°C
<b>Insulation Resistance (IR):</b>	>1,000 M $\Omega$ x $\mu$ F
<b>Withstand Voltage:</b>	Terminal to terminal 1.75 x WVAC Terminal to case 2.0 WVAC + 1 kVAC
<b>Capacitance Stability:</b>	$\pm$ 3% throughout life
<b>Insulated Bushings:</b>	High cup standard over 1,000 VAC (1,750 VDC)
<b>Approval Recognition:</b>	UL, cUL, File# E51176

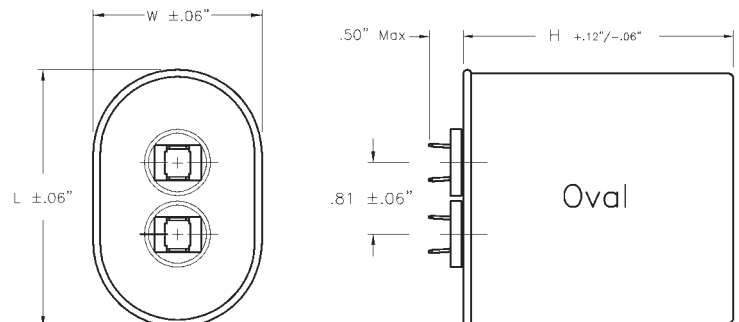
\*Inquire about special ratings

### Outline Drawings

Round Can – Low Cup



Oval Can – Low Cup

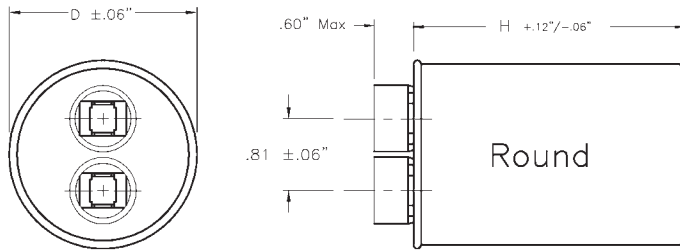


# High Voltage AC & DC Film Capacitors

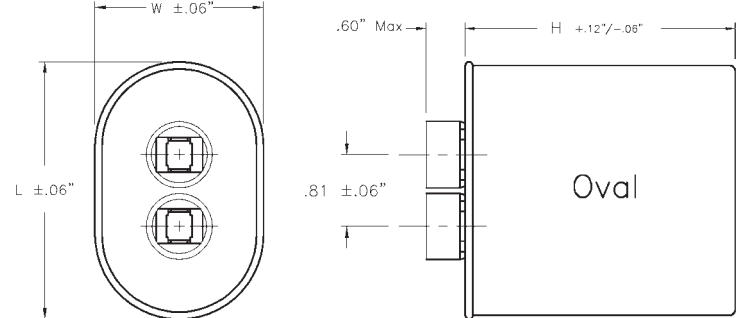
FOR POWER ELECTRONICS APPLICATIONS

## Outline Drawings

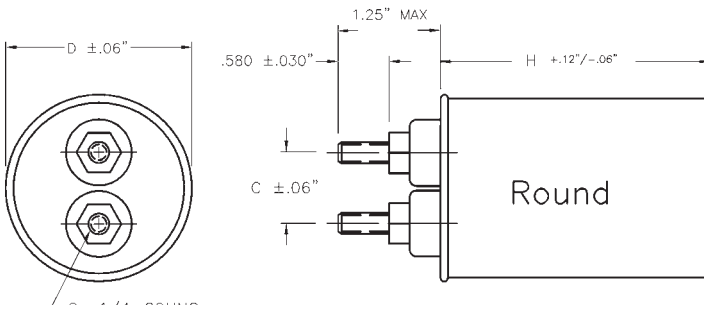
### Round Can – High Cup



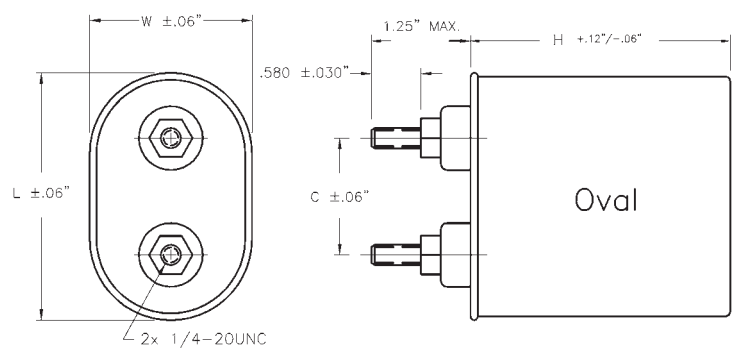
### Oval Can – High Cup



### Round Can – Studs



### Oval Can – Studs

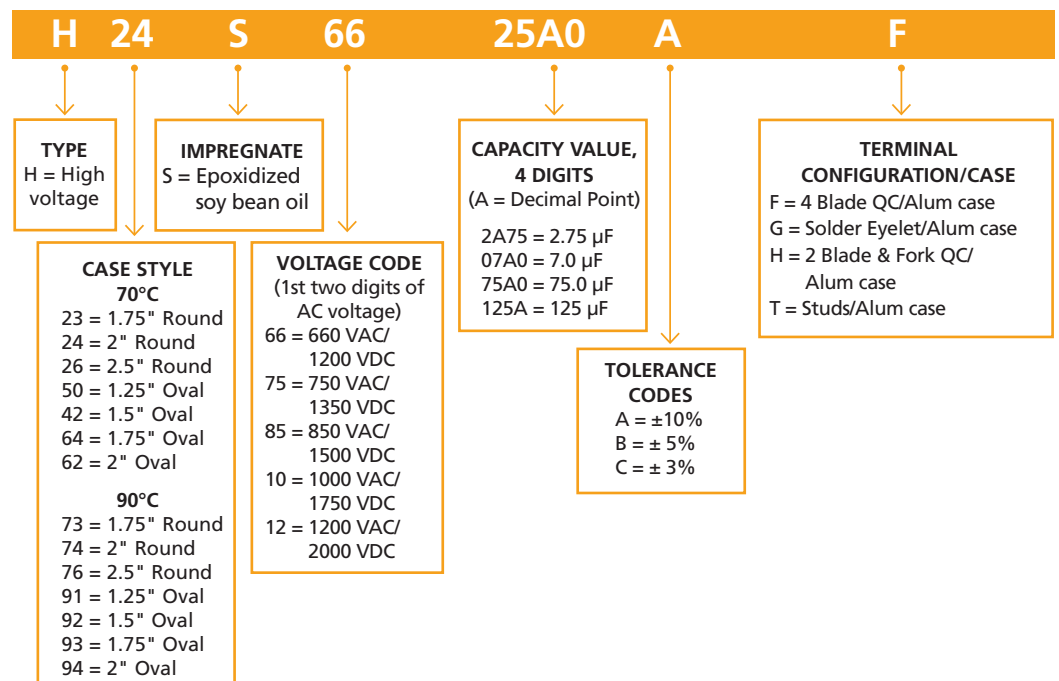


Round Size	C
1¾" Round	0.81"
2" Round	0.81"
2½" Round	1.25"

Oval Size	C
1¾" Oval	0.81"
1½" Oval	0.81"
1¾" Oval	1.38"
2" Oval	1.38"

## Part Numbering System

Aerovox's part numbering system is a descriptive part number made up of several different components such as voltage rating, capacitance, etc. The descriptors are explained below using H24S6625A0AF as a representative part number:



# High Voltage AC & DC Film Capacitors

FOR POWER ELECTRONICS APPLICATIONS

## Oval Cases

Rated for 60,000 hour duty @ 70°C

CAP (μF)	AEROVOX P/N	CASE CODE	WIDTH (Inches)	LENGTH (Inches)	CASE HEIGHT (Inches)	I <sub>RMS</sub> (A <sub>RMS</sub> )	I <sub>PEAK</sub> (A)	I <sub>s</sub> SURGE (A)	DV/dt RATES (V/μs)	DV/dt MAX (V/μs)	ESR @ 60 HZ (mΩ)	DF (%)	WEIGHT (Pounds)
<b>660 VAC (1,200 VDC)</b>													
5	H50S6605A0AF	A	1.31	2.16	2.88	2.3	427	534	85	107	32	0.10	0.29
10	H50S6610A0AF	A	1.31	2.16	3.25	4.0	741	925	74	93	21	0.13	0.32
15	H50S6615A0AF	A	1.31	2.16	4.25	4.2	770	962	51	64	22	0.21	0.42
20	H64S6620A0AF	C	1.91	2.91	3.75	4.9	910	1136	45	57	15	0.19	0.68
25	H64S6625A0AF	C	1.91	2.91	4.25	6.6	1213	1515	49	61	15	0.23	0.76
30	H64S6630A0AF	C	1.91	2.91	4.75	7.2	1336	1668	45	56	17	0.32	0.65
40	H62S6640A0AF	D	1.97	3.66	3.75	13.1	2426	3030	61	76	10	0.25	0.97
50	H62S6650A0AF	D	1.97	3.66	4.75	12.0	2227	2781	45	56	12	0.30	1.19
<b>750 VAC (1,350 VDC)</b>													
10	H42S7510A0AF	B	1.56	2.69	3.75	4.3	788	984	79	98	35	0.22	0.56
20	H62S7520A0AF	D	1.97	3.66	4.25	10.4	1919	2397	96	120	14	0.18	0.85
30	H62S7530A0AF	D	1.97	3.66	4.25	10.8	2006	2506	67	84	15	0.29	1.08
40	H62S7540A0AF	D	1.97	3.66	5.88	10	1855	2316	46	58	24	0.59	1.44
<b>850 VAC (1,500 VDC)</b>													
5	H42S8505A0AF	B	1.56	2.69	2.75	4.0	735	918	147	184	32	0.10	0.42
10	H64S8510A0AF	C	1.91	2.91	3.75	5.1	938	1171	94	117	30	0.19	0.60
15	H62S8515A0AF	D	1.97	3.66	3.75	7.6	1406	1756	94	117	21	0.20	0.97
20	H62S8520A0AF	D	1.97	3.66	4.25	8.6	1587	1982	79	99	19	0.24	1.08
25	H62S8525A0AF	D	1.97	3.66	4.75	9.3	1720	2148	69	86	22	0.34	1.19
<b>1000 VAC (1,750 VDC)</b>													
10	H62S1010A0AF	D	1.97	3.66	3.75	6.6	1213	1515	121	152	26	0.16	0.97
15	H62S1015A0AF	D	1.97	3.66	4.75	7.2	1336	1668	89	111	28	0.26	1.19
<b>1200 VAC (2,000 VDC)</b>													
10	H62S1210A0AF	D	1.97	3.66	4.25	6.2	1144	1429	114	143	27	0.17	1.08
15	H62S1215A0AF	D	1.97	3.66	5.88	6.4	1175	1468	78	98	36	0.34	1.44

# High Voltage AC & DC Film Capacitors

FOR POWER ELECTRONICS APPLICATIONS

## Round Cases

Rated for 60,000 hour duty @ 70°C

CAP (μF)	AEROVOX P/N	CASE CODE	BASE DIAMETER (Inches)	CASE HEIGHT (Inches)	I <sub>RMS</sub> (A <sub>RMS</sub> )	I <sub>PEAK</sub> (A)	I <sub>s</sub> SURGE (A)	dV/dt RATES (V/μs)	dV/dt MAX (V/μs)	ESR @ 60 HZ (mΩ)	DF (%)	WEIGHT (Pounds)
----------	-------------	-----------	------------------------	----------------------	--------------------------------------	-----------------------	--------------------------	--------------------	------------------	------------------	--------	-----------------

### 660 VAC (1,200 VDC)

10	H24S6610A0AF	S	2.00	2.38	7.2	1329	1659	133	166	11	0.07	0.33
15	H23S6615A0AF	P	1.75	3.25	6.0	1111	1388	74	93	15	0.14	0.36
20	H24S6620A0AF	S	2.00	3.25	8.0	1481	1850	74	93	12	0.15	0.45
25	H24S6625A0AF	S	2.00	3.75	8.2	1517	1894	61	76	13	0.20	0.51
30	H26S6630A0AF	T	2.50	3.75	9.8	1820	2273	61	76	12	0.22	0.78
40	H26S6640A0AF	T	2.50	3.75	13.1	2427	3031	61	76	10	0.24	0.78
50	H26S6650A0AF	T	2.50	4.75	12.0	2226	2781	45	56	12	0.38	0.94
60	H26S6660A0AF	T	2.50	5.88	11.4	2110	2636	35	44	11	0.41	0.94

### 750 VAC (1,350 VDC)

10	H23S7510A0AF	P	1.75	4.25	9.2	1698	2120	170	212	16	0.10	0.47
15	H26S7515A0AF	T	2.50	4.25	13.8	2546	3180	170	212	12	0.11	0.86
20	H26S7520A0AF	T	2.50	4.25	13.3	2452	3062	123	153	15	0.19	1.11
25	H26S7525A0AF	T	2.50	4.75	15.0	3065	3828	123	153	13	0.21	1.11
30	H26S7530A0AF	T	2.50	4.75	15.0	3678	4594	123	153	12	0.23	1.11

### 850 VAC (1,500 VDC)

10	H24S8510A0AF	S	2.00	4.25	5.1	938	1171	94	117	14	0.57	0.09
15	H26S8515A0AF	T	2.50	4.25	10.7	1980	2473	132	165	17	0.16	1.11
20	H26S8520A0AF	T	2.50	4.75	14.3	2640	3298	132	165	14	0.18	1.11
25	H26S8525A0AF	T	2.50	5.88	15.0	3300	4122	132	165	13	0.20	1.11

### 1000 VAC (1,750 VDC)

5	H24S1005A0AF	S	2.00	4.25	7.0	1329	1659	266	332	22	0.07	0.57
10	H26S1010A0AF	T	2.50	5.88	9.0	1708	2134	171	213	19	0.12	1.11
15	H26S1015A0AF	T	2.50	5.88	14.0	2562	3200	171	213	15	0.14	1.11

# High Voltage AC & DC Film Capacitors

FOR POWER ELECTRONICS APPLICATIONS

## Oval Cases

Rated for 60,000 hour duty @ 90°C

CAP (μF)	AEROVOX P/N	CASE CODE	WIDTH (Inches)	LENGTH (inches)	CASE HEIGHT (Inches)	I <sub>RMS</sub> (A <sub>RMS</sub> )	I <sub>PEAK</sub> (A)	I <sub>s</sub> SURGE (A)	dV/dt RATES (V/μs)	dV/dt MAX (V/μs)	ESR @ 60 HZ (mΩ)	DF (%)	WEIGHT (Pounds)
<b>660 VAC (1,200 VDC)</b>													
5	H91S6605A0AF	A	1.31	2.16	3.25	2.59	480	599	96	120	48	0.15	0.32
10	H92S6610A0AF	B	1.56	2.69	3.75	4.26	788	984	79	98	35	0.22	0.56
15	H93S6615A0AF	C	1.91	2.91	3.75	6.39	1183	1477	79	98	24	0.23	0.68
20	H94S6620A0AF	D	1.97	3.66	3.25	10.37	1919	2397	96	120	14	0.18	0.85
25	H94S6625A0AF	D	1.97	3.66	3.75	10.65	1971	2461	79	98	16	0.25	0.97
30	H94S6630A0AF	D	1.97	3.66	4.25	10.84	2006	2506	67	84	15	0.29	1.08
40	H94S6640A0AF	D	1.97	3.66	5.88	10.02	1855	2316	46	58	24	0.59	1.44
<b>750 VAC (1,350 VDC)</b>													
10	H93S7510A0AF	C	1.91	2.91	3.75	5.07	938	1171	94	117	30	0.19	0.68
15	H94S7515A0AF	D	1.97	3.66	3.75	7.60	1406	1756	94	117	21	0.20	0.97
20	H94S7520A0AF	D	1.97	3.66	4.25	8.58	1587	1982	79	99	19	0.24	1.08
25	H94S7525A0AF	D	1.97	3.66	4.75	9.30	1720	2148	69	86	22	0.34	1.19
<b>850 VAC (1,500 VDC)</b>													
5	H93S8505A0AF	C	1.91	2.91	2.75	4.56	843	1053	169	211	29	0.09	0.51
10	H94S8510A0AF	D	1.97	3.66	3.25	7.10	1313	1640	131	164	21	0.13	0.85
15	H94S8515A0AF	D	1.97	3.66	4.25	7.38	1366	1706	91	114	22	0.21	1.08

# High Voltage AC & DC Film Capacitors

FOR POWER ELECTRONICS APPLICATIONS

## Round Cases

Rated for 60,000 hour duty @ 90°C

CAP (μF)	AEROVOX P/N	CASE CODE	BASE DIAMETER (Inches)	CASE HEIGHT (Inches)	I <sub>RMS</sub> (A <sub>RMS</sub> )	I <sub>PEAK</sub> (A)	I <sub>S</sub> SURGE (A)	dV/dt RATES (V/μs)	dV/dt MAX (V/μs)	ESR @ 60 HZ (mΩ)	DF (%)	WEIGHT (Pounds)
<b>660 VAC (1,200 VDC)</b>												
5	H73S6605A0AF	P	1.75	4.25	4.59	849	1060	170	212	26	0.08	0.47
10	H73S6610A0AF	P	1.75	4.25	9.17	1698	2120	170	212	16	0.10	0.47
15	H76S6615A0AF	T	2.50	3.25	13.76	2546	3180	170	212	12	0.11	0.86
20	H76S6620A0AF	T	2.50	4.25	13.25	2452	3062	123	153	15	0.19	1.11
25	H76S6625A0AF	T	2.50	4.25	15.0	3065	3828	123	153	13	0.21	1.11
30	H76S6630A0AF	T	2.50	5.88	15.0	3678	4594	123	153	12	0.23	1.11

## 750 VAC (1,350 VDC)

10	H74S7510A0AF	S	2.00	4.75	5.1	938	1171	94	117	14	0.09	0.57
15	H76S7515A0AF	T	2.50	3.75	10.7	1980	2473	132	165	17	0.16	1.11
20	H76S7520A0AF	T	2.50	4.75	14.3	2640	3298	132	165	14	0.18	1.11
25	H76S7525A0AF	T	2.50	5.88	15.0	3300	4122	132	165	13	0.20	1.11

## 850 VAC (1,500 VDC)

5	H73S8505A0AF	P	1.75	4.25	6.4	1178	1471	236	294	22	0.07	0.47
10	H76S8510A0AF	T	2.50	3.75	8.2	1514	1891	151	189	22	0.14	1.10
15	H76S8515A0AF	T	2.50	4.75	12.3	2272	2837	151	189	17	0.16	1.11