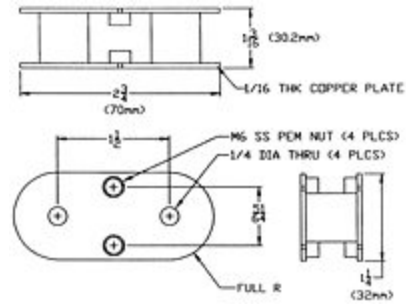


CHM Series Metallized Film Capacitors

- Up to 700 V_{RMS} Working Voltage
- 160 kVA Max Power
- Up to 400 A_{RMS} Max Current
- Conduction Cooled
- Series & Parallel Stackable



Results 1 - 7 of 7

<u>Part Number</u>	<u>CAP</u>	<u>V_{MAX}(RMS)</u>	<u>f_L</u>	<u>S_{MAX}</u>	<u>f_H</u>	<u>I_{MAX}(RMS)</u>	<u>f_{MAX}</u>
CHM6010M	0.1 µF	700 V	519 kHz	160 kV·A	621 kHz	250 A	1000 kHz
CHM6017M	0.17 µF	700 V	305 kHz	160 kV·A	365 kHz	250 A	1000 kHz
CHM6033M	0.33 µF	700 V	157 kHz	160 kV·A	228 kHz	275 A	800 kHz
CHM6066M	0.66 µF	600 V	107 kHz	160 kV·A	135 kHz	300 A	800 kHz
CHM6120M	1.2 µF	500 V	85 kHz	160 kV·A	87 kHz	325 A	800 kHz
CHM6250M	2.5 µF	400 V	64 kHz	160 kV·A	64 kHz	400 A	800 kHz
CHM CUSTOM	0.01 to 0.33 µF	N/A	N/A	N/A	N/A	N/A	N/A

Results 1 - 7 of 7