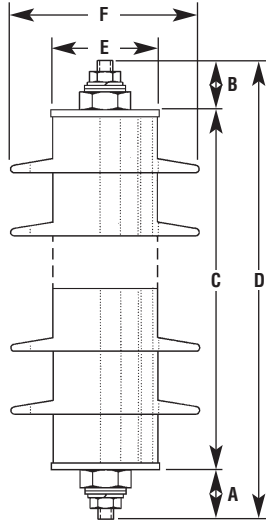
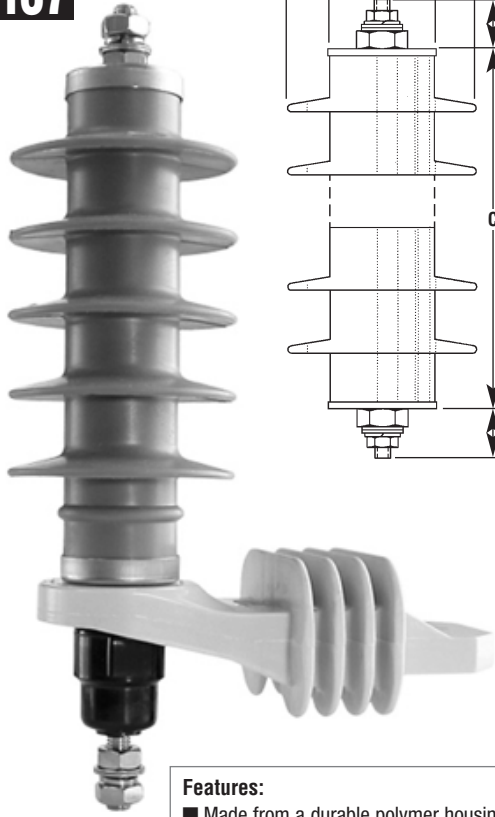
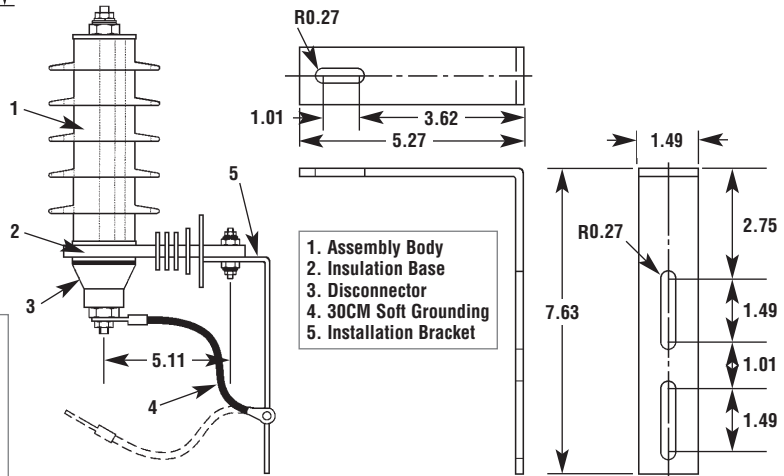


**FIGURE 137**



CKE Part Number	Typical Dimensions (in)					
	'A'	'B'	'C'	'D'	'E'	'F'
CKE10W-3/8.5	1.38	1.38	3.15	5.91	2.24	4.06
CKE10W-6/17	1.38	1.38	4.33	7.09	2.24	4.06
CKE10W-9/29	1.38	1.38	5.51	8.27	2.24	4.06
CKE10W-10/33	1.38	1.38	5.51	8.27	2.24	4.06
CKE10W-12/34	1.38	1.38	5.51	8.27	2.24	4.06
CKE10W-15/42.5	1.38	1.38	6.69	9.45	2.24	4.06
CKE10W-18/51	1.38	1.38	7.87	10.63	2.24	4.06
CKE10W-21/59.5	1.38	1.38	9.06	11.81	2.24	4.06
CKE10W-24/68	1.38	1.38	10.24	12.99	2.24	4.06
CKE10W-27/76.5	1.38	1.38	10.24	12.99	2.24	4.06
CKE10W-30/85	1.38	1.38	12.60	15.35	2.24	4.06
CKE10W-33/93.5	1.38	1.38	12.60	15.35	2.24	4.06
CKE10W-36/102	1.38	1.38	13.78	16.54	2.24	4.06

- Features:**
- Made from a durable polymer housing
  - Meets IEC 60099-4 and IEEE C 62.11 standards
  - Available with mounting hardware
  - Most typical voltages are available



1. Assembly Body
2. Insulation Base
3. Disconnecter
4. 30CM Soft Grounding
5. Installation Bracket

Part Number	Maximum Continuous operating $V_{MCOV}$ , kV <sub>RMS</sub>	Rated voltage, VR, kV <sub>RMS</sub>	Rated discharge current kA peak value	Maximum DC reference voltage $V_{1mA}$ , kV	Maximum residual voltage at steep impulse 1/10us, kV	Maximum residual voltage at lightning impulse 8/20us, kV	Maximum residual voltage at switching impulse 30/60us, kV	Withstand capability at current impulse 4/10us, kV	Housing insulation level at lightning impulse, kV	Housing insulation level at power frequency in wet 1 min., kV	Mechanical strength, torsional/cantilever (N.m/N)	Creepage distance, mm
<b>CK10W Series</b>												
CK10W-3/8.5	2.4	3	10	4.3	9.8	8.5	7.2	100	35	15	60/250	160
CK10W-6/17	4.8	6	10	8.6	19.5	17	14.4	100	45	20	60/250	220
CK10W-9/29	7.7	9	10	14.8	33.5	29	25	100	75	30	60/250	290
CK10W-10/33	8.5	10	10	16.4	38	33	28	100	75	30	60/250	290
CK10W-12/34	9.6	12	10	17.2	39.1	34	28.9	100	75	30	60/250	290
CK10W-15/42.5	12	15	10	21.5	48.9	42.5	36	100	75	30	60/250	355
CK10W-18/51	14.4	18	10	25.8	58.5	51	43.3	100	90	40	60/250	420
CK10W-21/59.5	16.8	21	10	30.1	68.3	59.5	50.5	100	105	45	60/250	485
CK10W-24/68	19.2	24	10	34.4	78.2	68	57.8	100	125	50	60/250	545
CK10W-27/76.5	21.6	27	10	38.7	87.8	76.5	65	100	125	50	60/250	550
CK10W-30/85	24	30	10	43	97.8	85	72.2	100	145	60	60/250	675
CK10W-33/93.5	26.4	33	10	47.3	107.5	93.5	79.5	100	145	60	60/250	675
CK10W-36/102	28.8	36	10	51.6	117.3	102	86.7	100	170	70	60/250	740