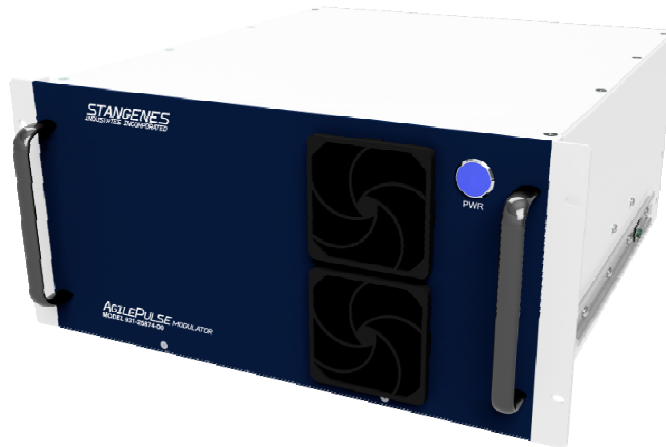


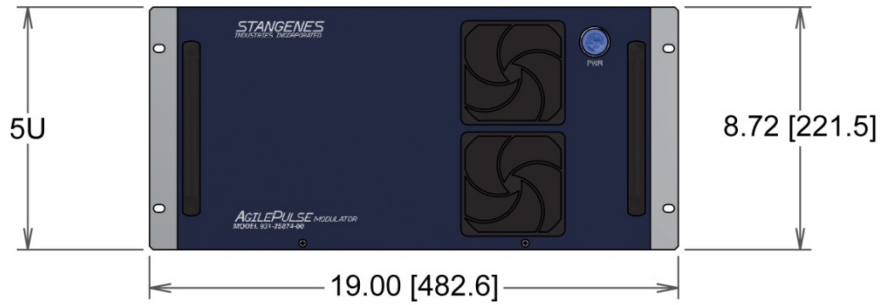
Vör E-Gun Modulator

Vör is an E-Gun modulator utilizing solid-state IGBT switches in an FPGA controlled 18-stage Marx generator topology. Vor generates stable pulse flat-tops in highly capacitive and resistive loads. The entire system is in a single box and is capable of very high pulse-to-pulse output voltage resolution and high repetition rates.

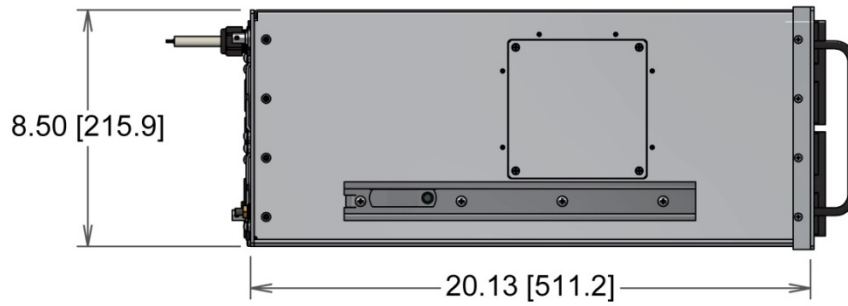


- Voltage: 3KV – 50KV
- Current: 0A – 2A
- Peak RF Power: 0.1MW
- Peak Duty: 0.005 @ peak RF power
- Average Modulator Power: 0.75KW
- Repetition Rate: 1000Hz
- Pulse Width: 0.5us-5us
- Mains: 1 phase 120V
- Cooling: Air cooled, no oil
- Mounting: 19" rack
- ROHS and ITAR compliant

FRONT VIEW



SIDE VIEW



REAR VIEW

