

100 Series



S Series

100 Series

VP Series

MCS Series

MC Series

M Series

MOD Series

- Operating voltage up to 100 kVDC
- Operating current up to 80 Amps
- Advanced contact technology
- Oil tight receptacles available
- High performance insulation materials PTFE

General characteristics and technical data Series 100

100 Series

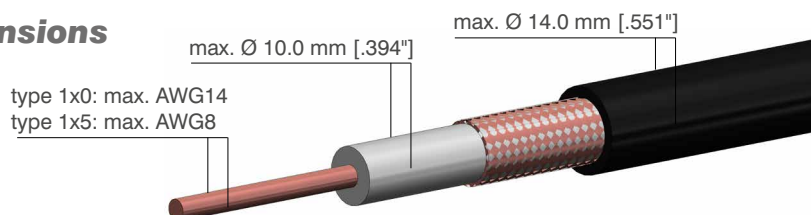
| Housing | |
|---------------------------------------|-------------------|
| Locking system | threaded coupling |
| Mounting type (panel mount connector) | round flange |
| Housing material | brass (CuZn) |
| Surface plating | nickel (Ni) |
| Protection class (mated connector) | IP67 |
| Operating temperature | -30°C to +80°C |

| Contacts 2.5 mm (connector types SB1x0) | |
|---|--|
| Termination method | solder (male contact), solder / screw (female contact) |
| Rated current | 30 A |
| Max. operating current | 40 A |
| Pulse current | 3000 A |
| Contact resistance | 300 $\mu\Omega$ |
| Contact diameter | 2.5 mm [.173"] |
| Contact diameter | AWG 14 / 2.5 mm ² |
| Contact material | brass (CuZn) |
| Contact plating | silver (Ag) |
| Insertion / Withdrawal force | 5,5 N / 4,0 N |
| Mating cycles | 100000 |
| Rated temperature | +120°C |

| Contacts 5 mm (connector types SB1x5) | |
|---------------------------------------|--|
| Termination method | solder (male contact), solder / screw (female contact) |
| Rated current | 80 A |
| Max. operating current | 110 A |
| Pulse current | 10000 A |
| Contact resistance | 150 $\mu\Omega$ |
| Contact diameter | 5 mm [.197"] |
| Max. wire size | AWG 8 / 10 mm ² |
| Contact material | brass (CuZn) |
| Contact plating | silver (Ag) |
| Insertion / Withdrawal force | 15 N / 10 N |
| Mating cycles | 100000 |
| Rated temperature | +120°C |

| Insulation inserts | |
|--------------------------------------|-------------------|
| Number of contacts | 1 |
| Insulation material | PTFE |
| CTI value | 600 |
| Flammability class PTFE | UL94 V-0 |
| Operating temperature PTFE | -50°C to +200°C |
| Insulating material group PTFE / POM | I (DIN IEC 60664) |

Suitable cable dimensions



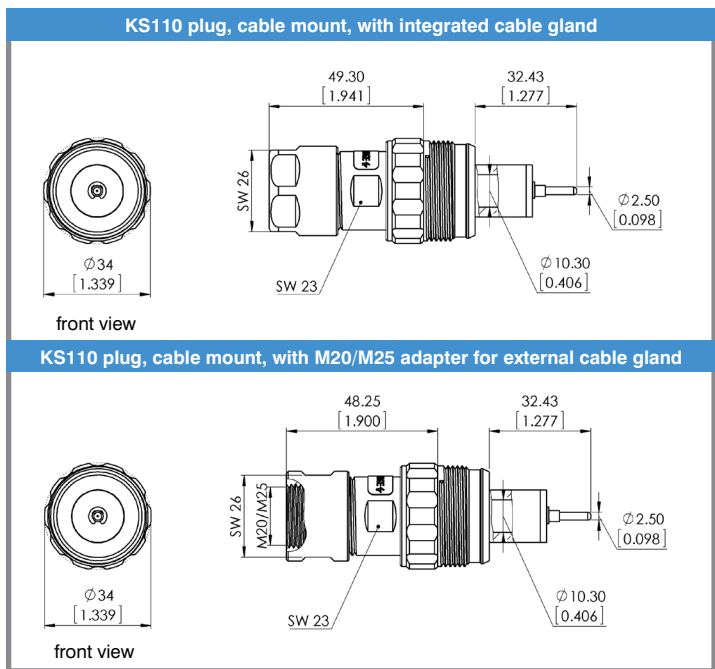
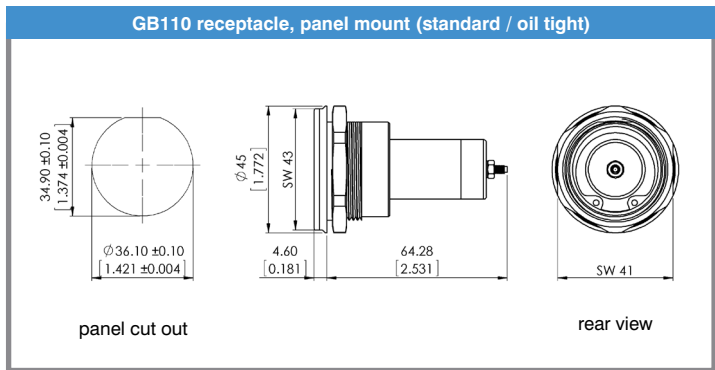


GB110 receptacle, panel mount



KS110 plug, cable mount

| Electrical values | |
|---------------------------|----------------|
| Operating voltage (DC) | 10 kV |
| Test voltage (DC) | 15 kV |
| Rated current | 30 A |
| Maximum operating current | 40 A |
| Pulse current | 3000 A |
| Characteristics | |
| Contact size | 2.5 mm [.173"] |
| Insulation material | PTFE |
| Mounting type receptacle | round flange |
| Contact plating | silver (Ag) |



drawing - dimensions in mm [inch]

| P/N | Description | Plug, cable mount | Receptacle, panel mount | clamping range for cables Ø 6.5 - 8 mm [.256" - .315"] | clamping range for cables Ø 8 - 9.5 mm [.315" - .374"] | clamping range for cables Ø 9.5 - 11 mm [.374" - .433"] | clamping range for cables Ø 11 - 12.5 mm [.433" - .492"] | clamping range for cables Ø 12.5 - 14 mm [.492" - .551"] | oil tight version |
|---------|--------------------|-------------------|-------------------------|--|--|---|--|--|-------------------|
| 7200101 | KS110/6,5-8 PTFE | • | | • | | | | | |
| 7200100 | KS110/8-9,5 PTFE | • | | | • | | | | |
| 7200102 | KS110/9,5-11 PTFE | • | | | | • | | | |
| 7200104 | KS110/11-12,5 PTFE | • | | | | | • | | |
| 7200103 | KS110/12,5-14 PTFE | • | | | | | | • | |
| 7200105 | KS110/M20 PTFE | • | | with adapter M20x1.5 for external cable gland | | | | | |
| 7200106 | KS110/M25 PTFE | • | | with adapter M25x1.5 for external cable gland | | | | | |
| 7200107 | GB110 PTFE | | • | | | | | | |
| 7200108 | GB110/Ö PTFE | | • | | | | | | • |



Accessories - page 42
 Mounting instructions - page 44-47
 Cables - page 48-49

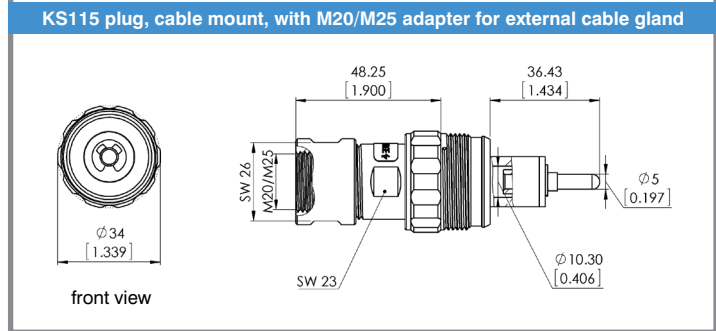
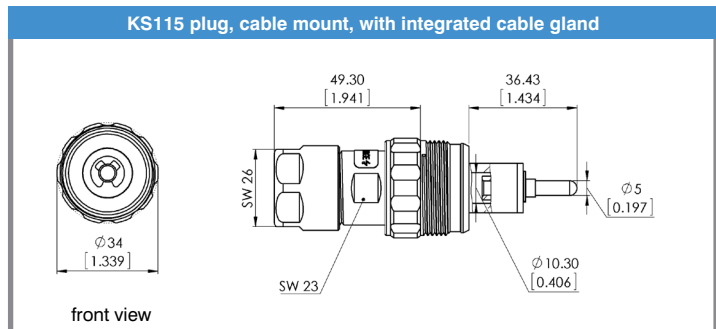
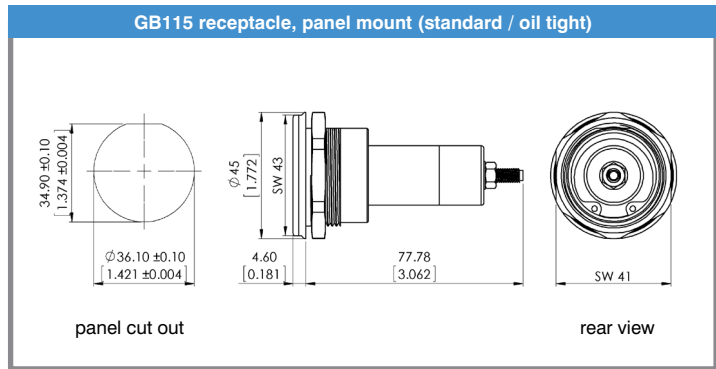
*KV = screwed cable gland



GB115 receptacle, panel mount



KS115 plug, cable mount



| Electrical values | |
|---------------------------|--------------|
| Operating voltage (DC) | 10 kV |
| Test voltage (DC) | 15 kV |
| Rated current | 80 A |
| Maximum operating current | 110 A |
| Pulse current | 10000 A |
| Characteristics | |
| Contact size | 5 mm [.197"] |
| Insulation material | PTFE |
| Mounting type receptacle | round flange |
| Contact plating | silver (Ag) |

drawing - dimensions in mm [inch]

| P/N | Description | Plug, cable mount | Receptacle, panel mount | clamping range for cables Ø 6.5 - 8 mm [.256" - .315"] | clamping range for cables Ø 8 - 9.5 mm [.315" - .374"] | clamping range for cables Ø 9.5 - 11 mm [.374" - .433"] | clamping range for cables Ø 11 - 12.5 mm [.433" - .492"] | clamping range for cables Ø 12.5 - 14 mm [.492" - .551"] | oil tight version |
|---------|--------------------|-------------------|-------------------------|--|--|---|--|--|-------------------|
| 7200151 | KS115/6,5-8 PTFE | • | | • | | | | | |
| 7200150 | KS115/8-9,5 PTFE | • | | | • | | | | |
| 7200152 | KS115/9,5-11 PTFE | • | | | | • | | | |
| 7200154 | KS115/11-12,5 PTFE | • | | | | | • | | |
| 7200153 | KS115/12,5-14 PTFE | • | | | | | | • | |
| 7200155 | KS115/M20 PTFE | • | | with adapter M20x1.5 for external cable gland | | | | | |
| 7200156 | KS115/M25 PTFE | • | | with adapter M25x1.5 for external cable gland | | | | | |
| 7200157 | GB115 PTFE | | • | | | | | | |
| 7200158 | GB115/Ö PTFE | | • | | | | | | • |



Accessories - page 42
 Mounting instructions - page 44-47
 Cables - page 48-49

*KV = screwed cable gland

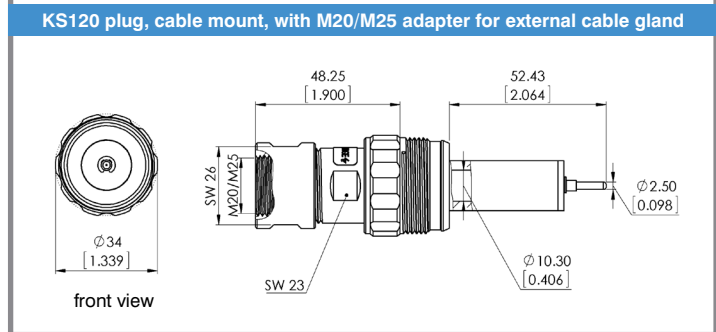
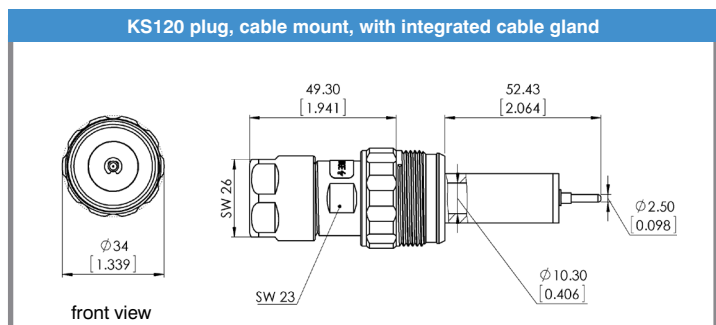
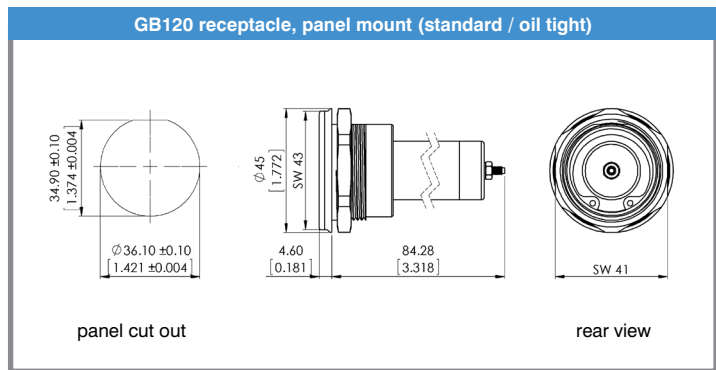


GB120 receptacle, panel mount



KS120 plug, cable mount

| Electrical values | |
|---------------------------|----------------|
| Operating voltage (DC) | 20 kV |
| Test voltage (DC) | 30 kV |
| Rated current | 30 A |
| Maximum operating current | 40 A |
| Pulse current | 3000 A |
| Characteristics | |
| Contact size | 2.5 mm [.173"] |
| Insulation material | PTFE |
| Mounting type receptacle | round flange |
| Contact plating | silver (Ag) |



drawing - dimensions in mm [inch]

| P/N | Description | Plug, cable mount | Receptacle, panel mount | clamping range for cables Ø 6.5 - 8 mm [.256" - .315"] | clamping range for cables Ø 8 - 9.5 mm [.315" - .374"] | clamping range for cables Ø 9.5 - 11 mm [.374" - .433"] | clamping range for cables Ø 11 - 12.5 mm [.433" - .492"] | clamping range for cables Ø 12.5 - 14 mm [.492" - .551"] | oil tight version |
|---------|--------------------|-------------------|-------------------------|--|--|---|--|--|-------------------|
| 7200201 | KS120/6,5-8 PTFE | • | | • | | | | | |
| 7200200 | KS120/8-9,5 PTFE | • | | | • | | | | |
| 7200202 | KS120/9,5-11 PTFE | • | | | | • | | | |
| 7200204 | KS120/11-12,5 PTFE | • | | | | | • | | |
| 7200203 | KS120/12,5-14 PTFE | • | | | | | | • | |
| 7200205 | KS120/M20 PTFE | • | | with adapter M20x1.5 for external cable gland | | | | | |
| 7200206 | KS120/M25 PTFE | • | | with adapter M25x1.5 for external cable gland | | | | | |
| 7200207 | GB120 PTFE | | • | | | | | | |
| 7200208 | GB120/Ö PTFE | | • | | | | | | • |



Accessories - page 42
 Mounting instructions - page 44-47
 Cables - page 48-49

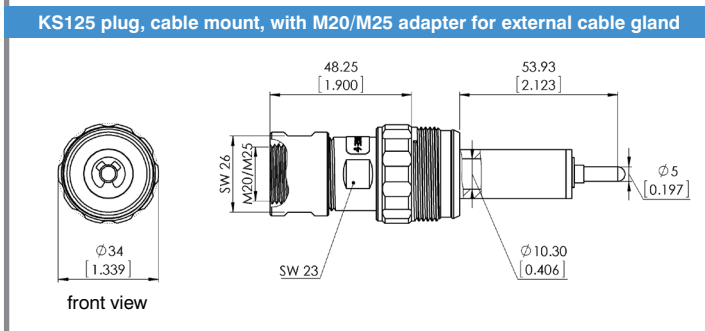
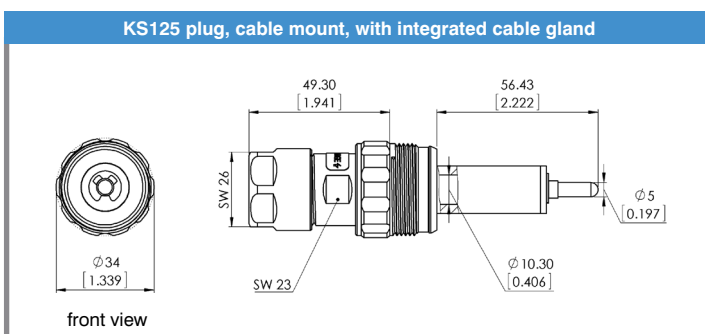
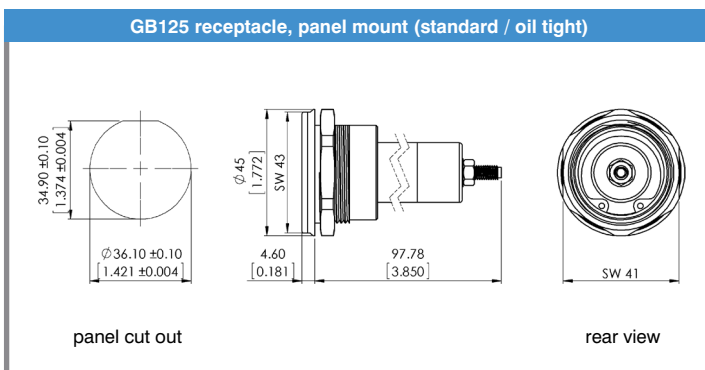
*KV = screwed cable gland



GB125 receptacle,
panel mount



KS125 plug,
cable mount



drawing - dimensions in mm [inch]

| Electrical values | |
|---------------------------|--------------|
| Operating voltage (DC) | 20 kV |
| Test voltage (DC) | 30 kV |
| Rated current | 80 A |
| Maximum operating current | 110 A |
| Pulse current | 10000 A |
| Characteristics | |
| Contact size | 5 mm [.197"] |
| Insulation material | PTFE |
| Mounting type receptacle | round flange |
| Contact plating | silver (Ag) |

| P/N | Description | Plug, cable mount | Receptacle, panel mount | clamping range for cables $\phi 6.5 - 8$ mm [.256" - .315"] | clamping range for cables $\phi 8 - 9.5$ mm [.315" - .374"] | clamping range for cables $\phi 9.5 - 11$ mm [.374" - .433"] | clamping range for cables $\phi 11 - 12.5$ mm [.433" - .492"] | clamping range for cables $\phi 12.5 - 14$ mm [.492" - .551"] | oil tight version |
|---------|--------------------|-------------------|-------------------------|---|---|--|---|---|-------------------|
| 7200251 | KS125/6,5-8 PTFE | • | | • | | | | | |
| 7200250 | KS125/8-9,5 PTFE | • | | | • | | | | |
| 7200252 | KS125/9,5-11 PTFE | • | | | | • | | | |
| 7200254 | KS125/11-12,5 PTFE | • | | | | | • | | |
| 7200253 | KS125/12,5-14 PTFE | • | | | | | | • | |
| 7200255 | KS125/M20 PTFE | • | | with adapter M20x1.5 for external cable gland | | | | | |
| 7200256 | KS125/M25 PTFE | • | | with adapter M25x1.5 for external cable gland | | | | | |
| 7200257 | GB125 PTFE | | • | | | | | | |
| 7200258 | GB125/Ö PTFE | | • | | | | | | • |



Accessories - page 42
 Mounting instructions - page 44-47
 Cables - page 48-49

*KV = screwed cable gland

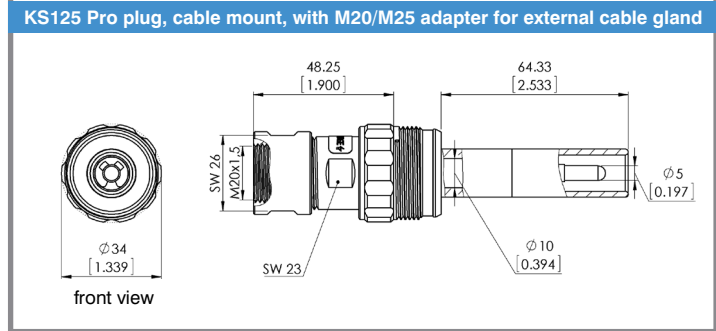
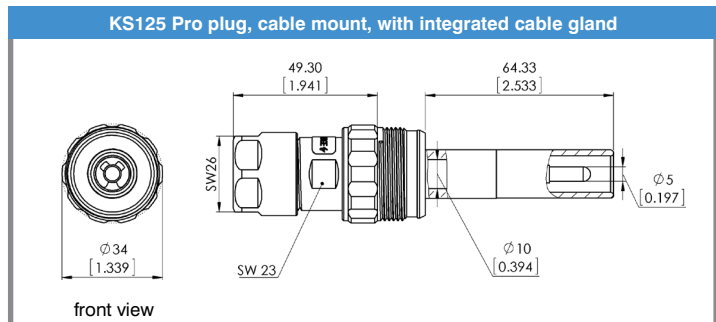
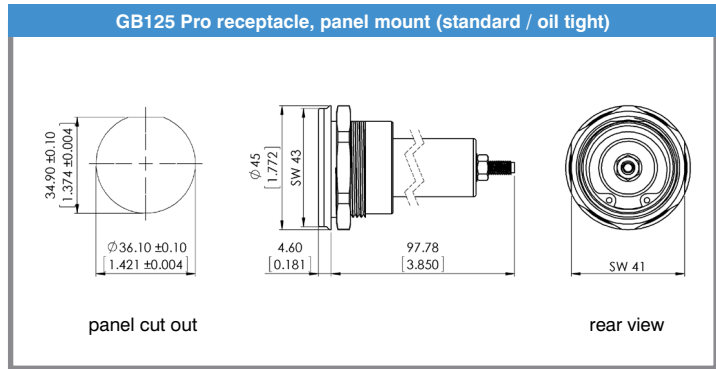


GB125 Pro receptacle, panel mount



KS125 Pro plug, cable mount

| Electrical values | |
|---------------------------|--------------|
| Operating voltage (DC) | 20 kV |
| Test voltage (DC) | 30 kV |
| Rated current | 80 A |
| Maximum operating current | 110 A |
| Pulse current | 10000 A |
| Characteristics | |
| Contact size | 5 mm [.197"] |
| Male contact (plug) | finger-proof |
| Insulation material | PTFE |
| Mounting type receptacle | round flange |
| Contact plating | silver (Ag) |



drawing - dimensions in mm [inch]

| P/N | Description | Plug, cable mount | Receptacle, panel mount | clamping range for cables Ø 6.5 - 8 mm [.256" - .315"] | clamping range for cables Ø 8 - 9.5 mm [.315" - .374"] | clamping range for cables Ø 9.5 - 11 mm [.374" - .433"] | clamping range for cables Ø 11 - 12.5 mm [.433" - .492"] | clamping range for cables Ø 12.5 - 14 mm [.492" - .551"] | oil tight version |
|---------|-----------------------|-------------------|-------------------------|--|--|---|--|--|-------------------|
| 7200261 | KS125Pro/6,5-8 PTFE | • | | • | | | | | |
| 7200260 | KS125Pro/8-9,5 PTFE | • | | | • | | | | |
| 7200262 | KS125Pro/9,5-11 PTFE | • | | | | • | | | |
| 7200264 | KS125Pro/11-12,5 PTFE | • | | | | | • | | |
| 7200263 | KS125Pro/12,5-14 PTFE | • | | | | | | • | |
| 7200265 | KS125Pro/M20 PTFE | • | | with adapter M20x1.5 for external cable gland | | | | | |
| 7200266 | KS125Pro/M25 PTFE | • | | with adapter M25x1.5 for external cable gland | | | | | |
| 7200267 | GB125Pro PTFE | | • | | | | | | |
| 7200268 | GB125Pro/Ö PTFE | | • | | | | | | • |



Accessories - page 42
 Mounting instructions - page 44-47
 Cables - page 48-49

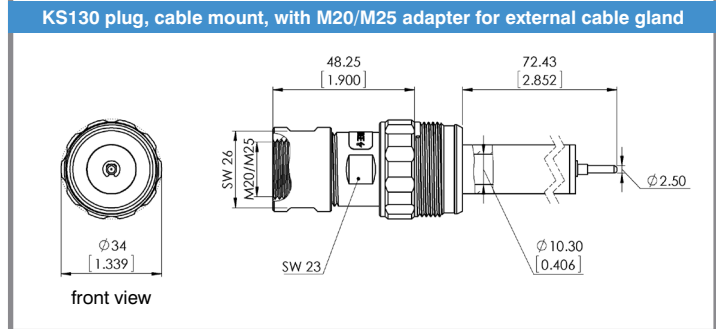
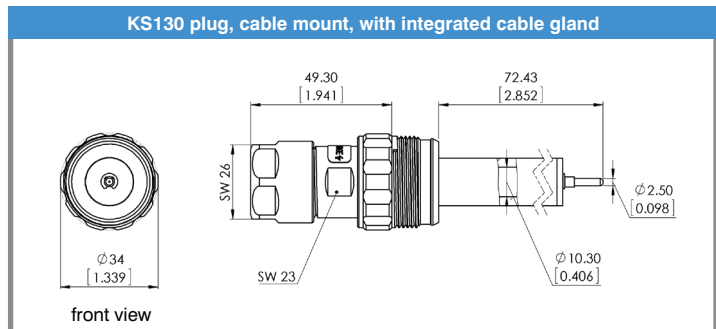
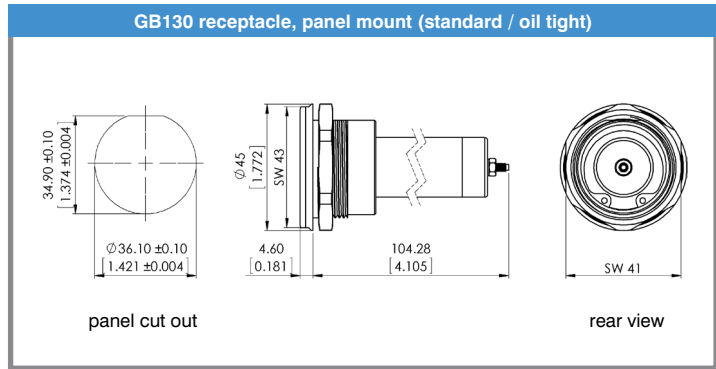
*KV = screwed cable gland



GB130 receptacle, panel mount



KS130 plug, cable mount



drawing - dimensions in mm [inch]

| Electrical values | |
|---------------------------|----------------|
| Operating voltage (DC) | 30 kV |
| Test voltage (DC) | 45 kV |
| Rated current | 30 A |
| Maximum operating current | 40 A |
| Pulse current | 3000 A |
| Characteristics | |
| Contact size | 2.5 mm [.173"] |
| Insulation material | PTFE |
| Mounting type receptacle | round flange |
| Contact plating | silver (Ag) |

| P/N | Description | Plug, cable mount | Receptacle, panel mount | clamping range for cables Ø 6.5 - 8 mm [.256" - .315"] | clamping range for cables Ø 8 - 9.5 mm [.315" - .374"] | clamping range for cables Ø 9.5 - 11 mm [.374" - .433"] | clamping range for cables Ø 11 - 12.5 mm [.433" - .492"] | clamping range for cables Ø 12.5 - 14 mm [.492" - .551"] | oil tight version |
|---------|--------------------|-------------------|-------------------------|--|--|---|--|--|-------------------|
| 7200301 | KS130/6,5-8 PTFE | • | | • | | | | | |
| 7200300 | KS130/8-9,5 PTFE | • | | | • | | | | |
| 7200302 | KS130/9,5-11 PTFE | • | | | | • | | | |
| 7200304 | KS130/11-12,5 PTFE | • | | | | | • | | |
| 7200303 | KS130/12,5-14 PTFE | • | | | | | | • | |
| 7200305 | KS130/M20 PTFE | • | | with adapter M20x1.5 for external cable gland | | | | | |
| 7200306 | KS130/M25 PTFE | • | | with adapter M25x1.5 for external cable gland | | | | | |
| 7200307 | GB130 PTFE | | • | | | | | | |
| 7200308 | GB130/Ö PTFE | | • | | | | | | • |

➔ Accessories - page 42
 Mounting instructions - page 44-47
 Cables - page 48-49

*KV = screwed cable gland

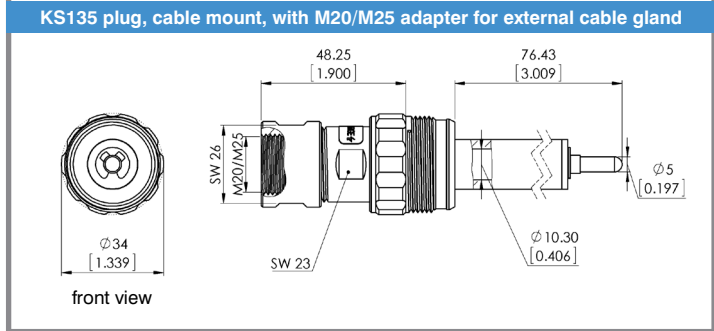
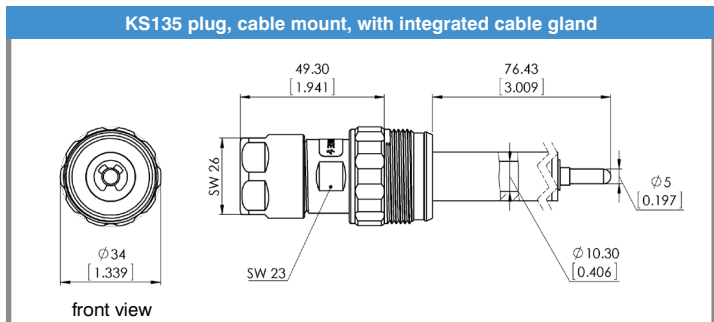
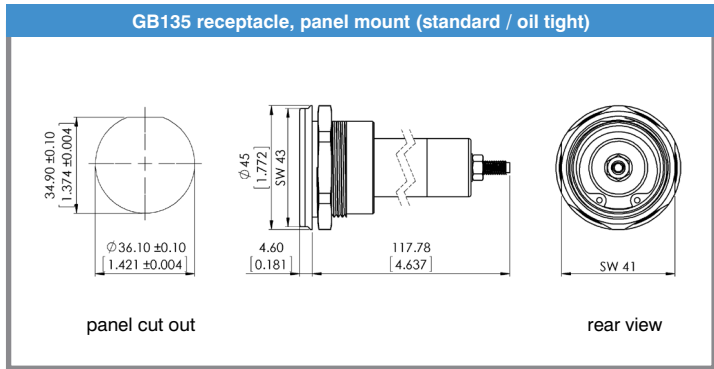


GB135 receptacle, panel mount



KS135 plug, cable mount

| Electrical values | |
|---------------------------|--------------|
| Operating voltage (DC) | 30 kV |
| Test voltage (DC) | 45 kV |
| Rated current | 80 A |
| Maximum operating current | 110 A |
| Pulse current | 10000 A |
| Characteristics | |
| Contact size | 5 mm [.197"] |
| Insulation material | PTFE |
| Mounting type receptacle | round flange |
| Contact plating | silver (Ag) |



drawing - dimensions in mm [inch]

| P/N | Description | Plug, cable mount | Receptacle, panel mount | clamping range for cables Ø 6.5 - 8 mm [.256" - .315"] | clamping range for cables Ø 8 - 9.5 mm [.315" - .374"] | clamping range for cables Ø 9.5 - 11 mm [.374" - .433"] | clamping range for cables Ø 11 - 12.5 mm [.433" - .492"] | clamping range for cables Ø 12.5 - 14 mm [.492" - .551"] | oil tight version |
|---------|--------------------|-------------------|-------------------------|--|--|---|--|--|-------------------|
| 7200351 | KS135/6,5-8 PTFE | • | | • | | | | | |
| 7200350 | KS135/8-9,5 PTFE | • | | | • | | | | |
| 7200352 | KS135/9,5-11 PTFE | • | | | | • | | | |
| 7200354 | KS135/11-12,5 PTFE | • | | | | | • | | |
| 7200353 | KS135/12,5-14 PTFE | • | | | | | | • | |
| 7200355 | KS135/M20 PTFE | • | | with adapter M20x1.5 for external cable gland | | | | | |
| 7200356 | KS135/M25 PTFE | • | | with adapter M25x1.5 for external cable gland | | | | | |
| 7200357 | GB135 PTFE | | • | | | | | | |
| 7200358 | GB135/Ö PTFE | | • | | | | | | • |



Accessories - page 42
 Mounting instructions - page 44-47
 Cables - page 48-49

*KV = screwed cable gland



GB150 receptacle, panel mount



KS150 plug, cable mount

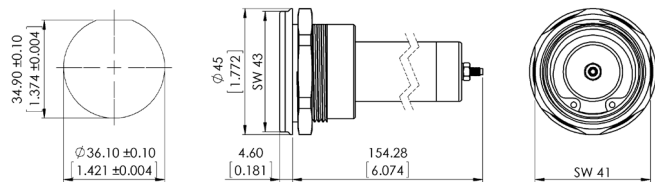
Electrical values

| | |
|---------------------------|--------|
| Operating voltage (DC) | 50 kV |
| Test voltage (DC) | 75 kV |
| Rated current | 30 A |
| Maximum operating current | 40 A |
| Pulse current | 3000 A |

Characteristics

| | |
|--------------------------|----------------|
| Contact size | 2.5 mm [.173"] |
| Insulation material | PTFE |
| Mounting type receptacle | round flange |
| Contact plating | silver (Ag) |

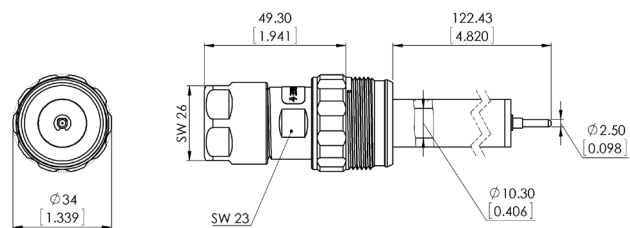
GB150 receptacle, panel mount (standard / oil tight)



panel cut out

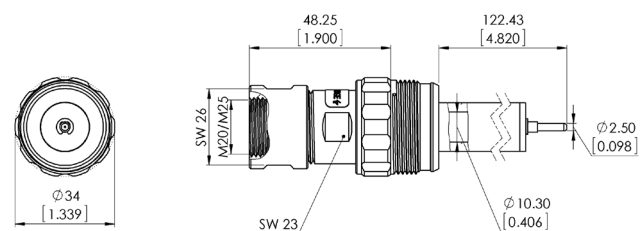
rear view

KS150 plug, cable mount, with integrated cable gland



front view

KS150 plug, cable mount, with M20/M25 adapter for external cable gland



front view

drawing - dimensions in mm [inch]

| P/N | Description | Plug, cable mount | Receptacle, panel mount | clamping range for cables Ø 6.5 - 8 mm [.256" - .315"] | clamping range for cables Ø 8 - 9.5 mm [.315" - .374"] | clamping range for cables Ø 9.5 - 11 mm [.374" - .433"] | clamping range for cables Ø 11 - 12.5 mm [.433" - .492"] | clamping range for cables Ø 12.5 - 14 mm [.492" - .551"] | oil tight version |
|---------|--------------------|-------------------|-------------------------|--|--|---|--|--|-------------------|
| 7200501 | KS150/6,5-8 PTFE | • | | • | | | | | |
| 7200500 | KS150/8-9,5 PTFE | • | | | • | | | | |
| 7200502 | KS150/9,5-11 PTFE | • | | | | • | | | |
| 7200504 | KS150/11-12,5 PTFE | • | | | | | • | | |
| 7200503 | KS150/12,5-14 PTFE | • | | | | | | • | |
| 7200505 | KS150/M20 PTFE | • | | with adapter M20x1.5 for external cable gland | | | | | |
| 7200506 | KS150/M25 PTFE | • | | with adapter M25x1.5 for external cable gland | | | | | |
| 7200507 | GB150 PTFE | | • | | | | | | |
| 7200508 | GB150/Ö PTFE | | • | | | | | | • |



Accessories - page 42
 Mounting instructions - page 44-47
 Cables - page 48-49

*KV = screwed cable gland

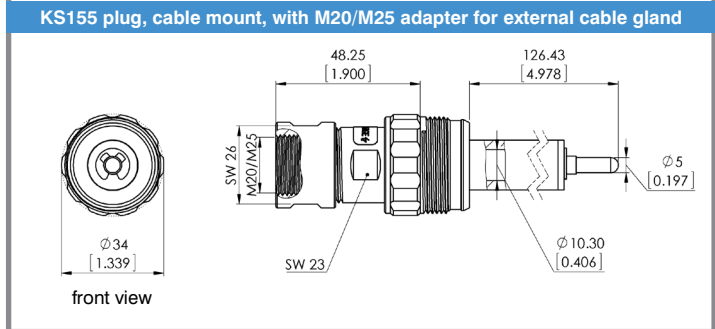
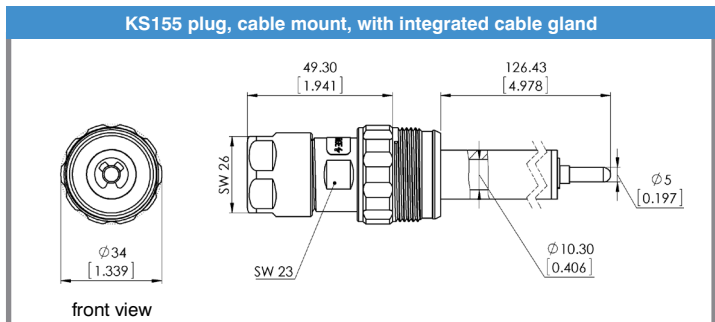
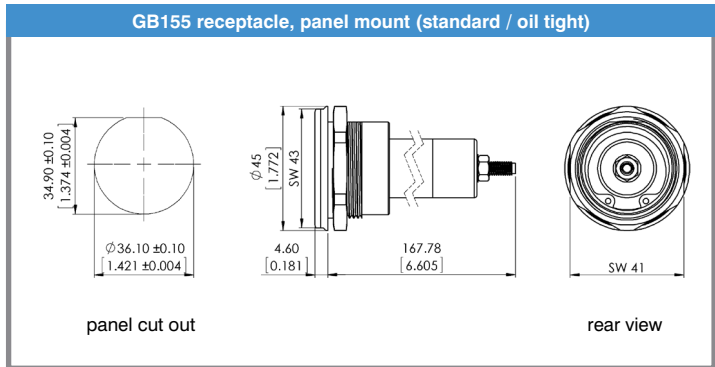


GB155 receptacle, panel mount



KS155 plug, cable mount

| Electrical values | |
|---------------------------|--------------|
| Operating voltage (DC) | 50 kV |
| Test voltage (DC) | 75 kV |
| Rated current | 80 A |
| Maximum operating current | 110 A |
| Pulse current | 10000 A |
| Characteristics | |
| Contact size | 5 mm [.197"] |
| Insulation material | PTFE |
| Mounting type receptacle | round flange |
| Contact plating | silver (Ag) |



drawing - dimensions in mm [inch]

| P/N | Description | Plug, cable mount | Receptacle, panel mount | clamping range for cables $\phi 6.5 - 8$ mm [.256" - .315"] | clamping range for cables $\phi 8 - 9.5$ mm [.315" - .374"] | clamping range for cables $\phi 9.5 - 11$ mm [.374" - .433"] | clamping range for cables $\phi 11 - 12.5$ mm [.433" - .492"] | clamping range for cables $\phi 12.5 - 14$ mm [.492" - .551"] | oil tight version |
|---------|--------------------|-------------------|-------------------------|---|---|--|---|---|-------------------|
| 7200551 | KS155/6,5-8 PTFE | • | | • | | | | | |
| 7200550 | KS155/8-9,5 PTFE | • | | | • | | | | |
| 7200552 | KS155/9,5-11 PTFE | • | | | | • | | | |
| 7200554 | KS155/11-12,5 PTFE | • | | | | | • | | |
| 7200553 | KS155/12,5-14 PTFE | • | | | | | | • | |
| 7200555 | KS155/M20 PTFE | • | | with adapter M20x1.5 for external cable gland | | | | | |
| 7200556 | KS155/M25 PTFE | • | | with adapter M25x1.5 for external cable gland | | | | | |
| 7200557 | GB155 PTFE | | • | | | | | | |
| 7200558 | GB155/Ö PTFE | | • | | | | | | • |

→ Accessories - page 42
 Mounting instructions - page 44-47
 Cables - page 48-49

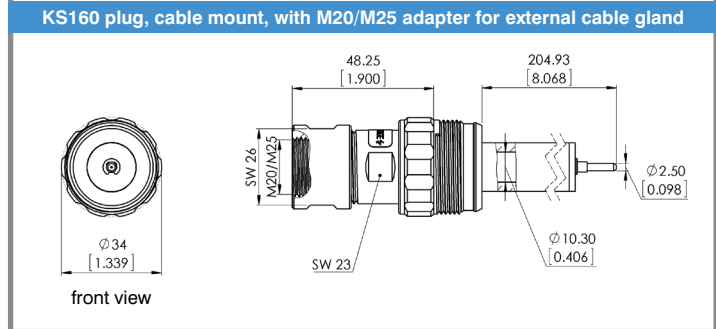
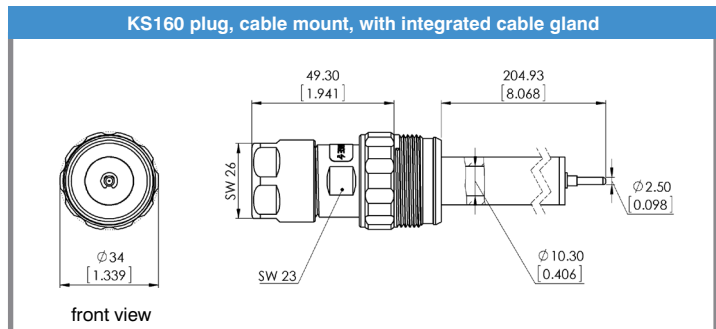
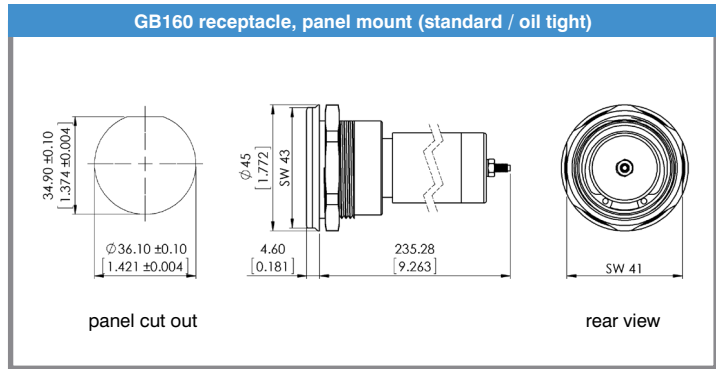
*KV = screwed cable gland



GB160 receptacle, panel mount



KS160 plug, cable mount



| Electrical values | |
|---------------------------|----------------|
| Operating voltage (DC) | 60 kV |
| Test voltage (DC) | 90 kV |
| Rated current | 30 A |
| Maximum operating current | 40 A |
| Pulse current | 3000 A |
| Characteristics | |
| Contact size | 2.5 mm [.173"] |
| Insulation material | PTFE |
| Mounting type receptacle | round flange |
| Contact plating | silver (Ag) |

drawing - dimensions in mm [inch]

| P/N | Description | Plug, cable mount | Receptacle, panel mount | clamping range for cables Ø 6.5 - 8 mm [.256" - .315"] | clamping range for cables Ø 8 - 9.5 mm [.315" - .374"] | clamping range for cables Ø 9.5 - 11 mm [.374" - .433"] | clamping range for cables Ø 11 - 12.5 mm [.433" - .492"] | clamping range for cables Ø 12.5 - 14 mm [.492" - .551"] | oil tight version |
|---------|--------------------|-------------------|-------------------------|--|--|---|--|--|-------------------|
| 7200601 | KS160/6,5-8 PTFE | • | | • | | | | | |
| 7200600 | KS160/8-9,5 PTFE | • | | | • | | | | |
| 7200602 | KS160/9,5-11 PTFE | • | | | | • | | | |
| 7200604 | KS160/11-12,5 PTFE | • | | | | | • | | |
| 7200603 | KS160/12,5-14 PTFE | • | | | | | | • | |
| 7200605 | KS160/M20 PTFE | • | | with adapter M20x1.5 for external cable gland | | | | | |
| 7200609 | KS160/M25 PTFE | • | | with adapter M25x1.5 for external cable gland | | | | | |
| 7200607 | GB160 PTFE | | • | | | | | | |
| 7200608 | GB160/Ö PTFE | | • | | | | | | • |



Accessories - page 42
 Mounting instructions - page 44-47
 Cables - page 48-49

*KV = screwed cable gland

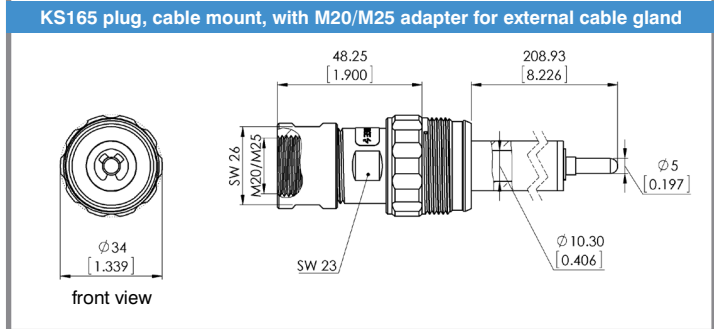
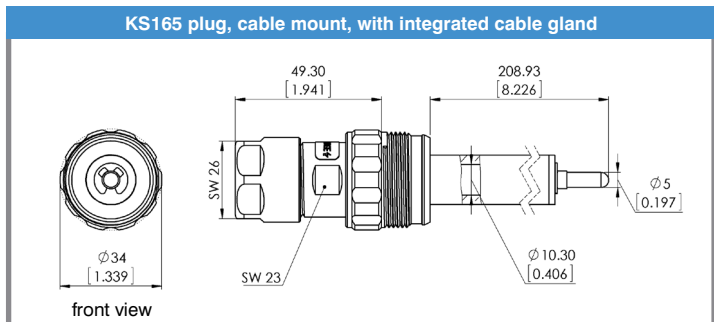
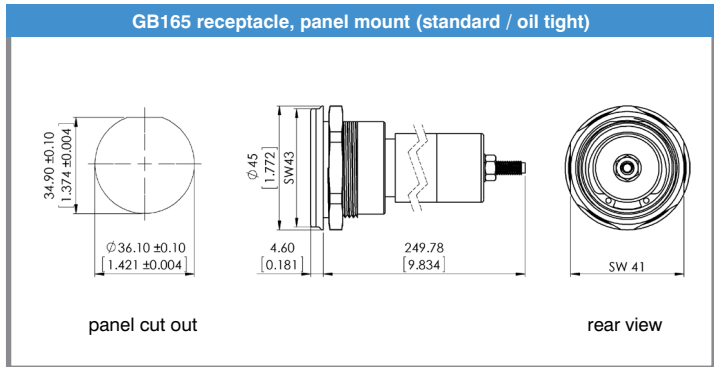


GB165 receptacle, panel mount



KS165 plug, cable mount

| Electrical values | |
|---------------------------|--------------|
| Operating voltage (DC) | 60 kV |
| Test voltage (DC) | 90 kV |
| Rated current | 80 A |
| Maximum operating current | 110 A |
| Pulse current | 10000 A |
| Characteristics | |
| Contact size | 5 mm [.197"] |
| Insulation material | PTFE |
| Mounting type receptacle | round flange |
| Contact plating | silver (Ag) |



drawing - dimensions in mm [inch]

| P/N | Description | Plug, cable mount | Receptacle, panel mount | clamping range for cables $\phi 6.5 - 8$ mm [.256" - .315"] | clamping range for cables $\phi 8 - 9.5$ mm [.315" - .374"] | clamping range for cables $\phi 9.5 - 11$ mm [.374" - .433"] | clamping range for cables $\phi 11 - 12.5$ mm [.433" - .492"] | clamping range for cables $\phi 12.5 - 14$ mm [.492" - .551"] | oil tight version |
|---------|--------------------|-------------------|-------------------------|---|---|--|---|---|-------------------|
| 7200651 | KS165/6,5-8 PTFE | • | | • | | | | | |
| 7200650 | KS165/8-9,5 PTFE | • | | | • | | | | |
| 7200652 | KS165/9,5-11 PTFE | • | | | | • | | | |
| 7200654 | KS165/11-12,5 PTFE | • | | | | | • | | |
| 7200653 | KS165/12,5-14 PTFE | • | | | | | | • | |
| 7200655 | KS165/M20 PTFE | • | | with adapter M20x1.5 for external cable gland | | | | | |
| 7200656 | KS165/M25 PTFE | • | | with adapter M25x1.5 for external cable gland | | | | | |
| 7200657 | GB165 PTFE | | • | | | | | | |
| 7200658 | GB165/Ö PTFE | | • | | | | | | • |

→ Accessories - page 42
 Mounting instructions - page 44-47
 Cables - page 48-49

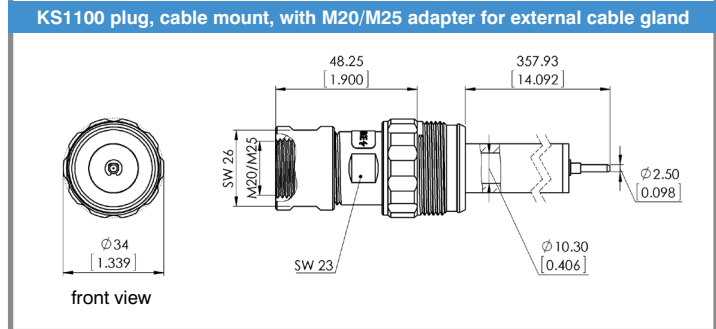
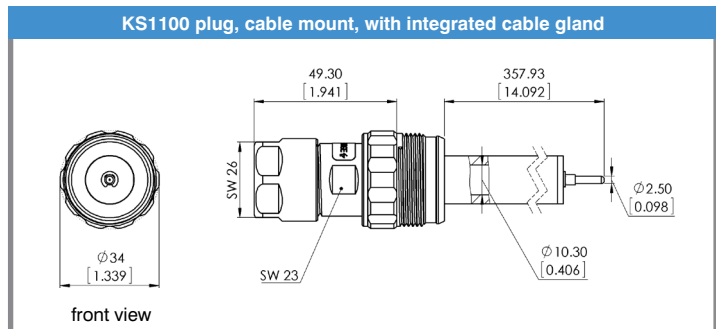
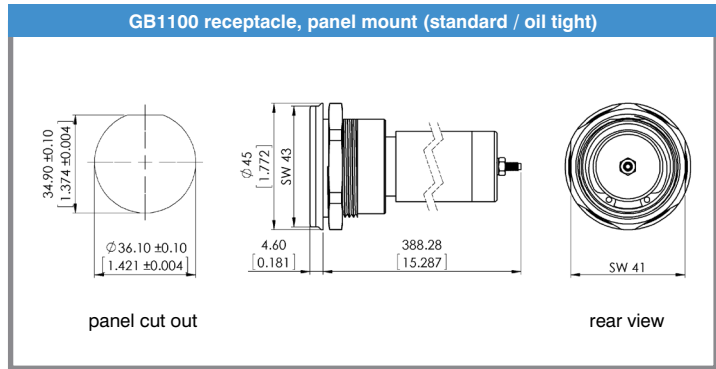
*KV = screwed cable gland



GB1100 receptacle, panel mount



KS1100 plug, cable mount



drawing - dimensions in mm [inch]

| Electrical values | |
|---------------------------|----------------|
| Operating voltage (DC) | 100 kV |
| Test voltage (DC) | 150 kV |
| Rated current | 30 A |
| Maximum operating current | 40 A |
| Pulse current | 3000 A |
| Characteristics | |
| Contact size | 2.5 mm [.173"] |
| Insulation material | PTFE |
| Mounting type receptacle | round flange |
| Contact plating | silver (Ag) |

| P/N | Description | Plug, cable mount | Receptacle, panel mount | clamping range for cables Ø 6.5 - 8 mm [.256" - .315"] | clamping range for cables Ø 8 - 9.5 mm [.315" - .374"] | clamping range for cables Ø 9.5 - 11 mm [.374" - .433"] | clamping range for cables Ø 11 - 12.5 mm [.433" - .492"] | clamping range for cables Ø 12.5 - 14 mm [.492" - .551"] | oil tight version |
|---------|---------------------|-------------------|-------------------------|--|--|---|--|--|-------------------|
| 7201001 | KS1100/6,5-8 PTFE | • | | • | | | | | |
| 7201000 | KS1100/8-9,5 PTFE | • | | | • | | | | |
| 7201002 | KS1100/9,5-11 PTFE | • | | | | • | | | |
| 7201004 | KS1100/11-12,5 PTFE | • | | | | | • | | |
| 7201003 | KS1100/12,5-14 PTFE | • | | | | | | • | |
| 7201005 | KS1100/M20 PTFE | • | | with adapter M20x1.5 for external cable gland | | | | | |
| 7201006 | KS1100/M25 PTFE | • | | with adapter M25x1.5 for external cable gland | | | | | |
| 7201007 | GB1100 PTFE | | • | | | | | | |
| 7201008 | GB1100/Ö PTFE | | • | | | | | | • |

➔ **Accessories - page 42**
Mounting instructions - page 44-47
Cables - page 48-49

*KV = screwed cable gland

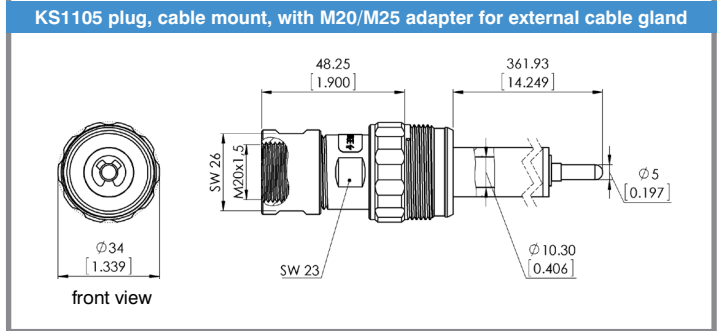
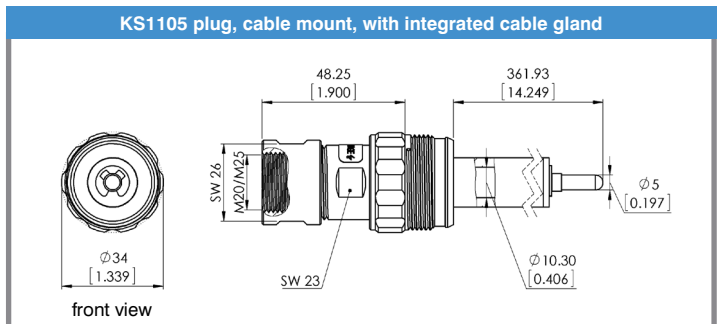
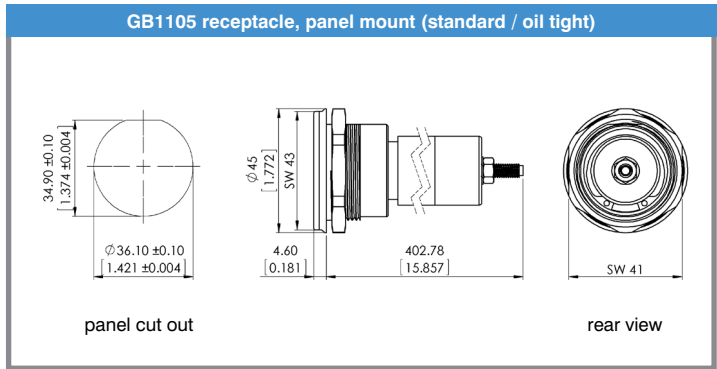


GB1105 receptacle, panel mount



KS1105 plug, cable mount

| Electrical values | |
|---------------------------|----------------|
| Operating voltage (DC) | 100 kV |
| Test voltage (DC) | 150 kV |
| Rated current | 30 A |
| Maximum operating current | 40 A |
| Pulse current | 3000 A |
| Characteristics | |
| Contact size | 5.0 mm [.197"] |
| Insulation material | PTFE |
| Mounting type receptacle | round flange |
| Contact plating | silver (Ag) |



drawing - dimensions in mm [inch]

| P/N | Description | Plug, cable mount | Receptacle, panel mount | clamping range for cables Ø 6.5 - 8 mm [.256" - .315"] | clamping range for cables Ø 8 - 9.5 mm [.315" - .374"] | clamping range for cables Ø 9.5 - 11 mm [.374" - .433"] | clamping range for cables Ø 11 - 12.5 mm [.433" - .492"] | clamping range for cables Ø 12.5 - 14 mm [.492" - .551"] | oil tight version |
|---------|---------------------|-------------------|-------------------------|--|--|---|--|--|-------------------|
| 7201051 | KS1105/6,5-8 PTFE | • | | • | | | | | |
| 7201050 | KS1105/8-9,5 PTFE | • | | | • | | | | |
| 7201052 | KS1105/9,5-11 PTFE | • | | | | • | | | |
| 7201054 | KS1105/11-12,5 PTFE | • | | | | | • | | |
| 7201053 | KS1105/12,5-14 PTFE | • | | | | | | • | |
| 7201055 | KS1105/M20 PTFE | • | | with adapter M20x1.5 for external cable gland | | | | | |
| 7201056 | KS1105/M25 PTFE | • | | with adapter M25x1.5 for external cable gland | | | | | |
| 7201057 | GB1105 PTFE | | • | | | | | | |
| 7201058 | GB1105/Ö PTFE | | • | | | | | | • |



Accessories - page 42
 Mounting instructions - page 44-47
 Cables - page 48-49

*KV = screwed cable gland

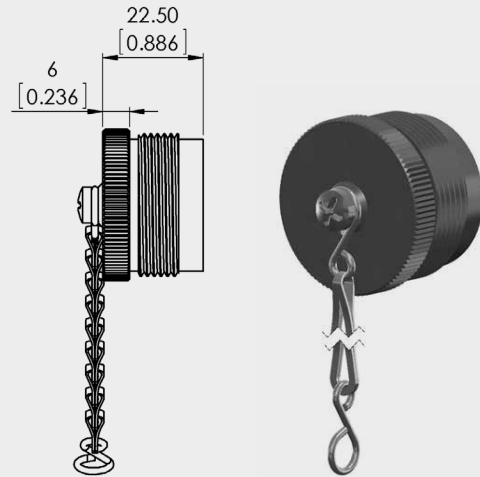
Contacts

| P/N | Description | Drawing |
|---------|--|---------|
| 6572001 | male contact 2.5 mm silver plated (Ag) | |
| 6572005 | female contact 2.5 mm silver plated (Ag) | |
| 6672050 | male contact 5 mm silver plated (Ag) | |
| 6572007 | female contact 5 mm silver plated (Ag) | |

Covering

| P/N | Description |
|---------|---|
| 6671011 | Threaded covering with chain for receptacles Series 100 |

Drawing



length of chain approx. 135 mm

drawing - dimensions in mm [inch]



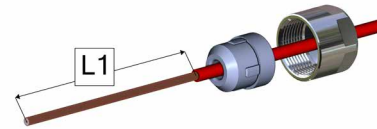
Assembly Instructions Series 100 (plug, cable mount)

1.



Part as delivered

5.



Remove cable jacket
⚠ Do not damage shield braid

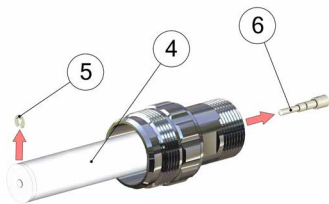
2.



Components
Cap (1), sealing insert (2), housing (3), insulator (4)

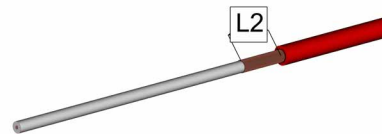
| Types | min. L1 mm [inch] |
|------------------------|-------------------|
| S110 / S115 | 52 [2.037"] |
| S120 / S125 / S125 Pro | 72 [2.824"] |
| S130 / S135 | 92 [3.611"] |
| S150 / S155 | 142 [5.580"] |
| S160 / S165 | 224 [8.828"] |
| S1100 / S1105 | 377 [14.852"] |

3.



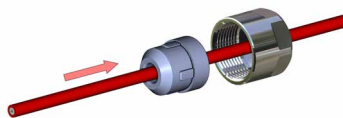
Remove snap ring (5) and take out male contact (6)

6.



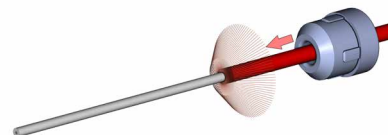
Cut shield braid roughly about 30 mm [1.181"] (=L2)
⚠ Carefully remove shield parts. Loose shield parts can cause electrical break down

4.



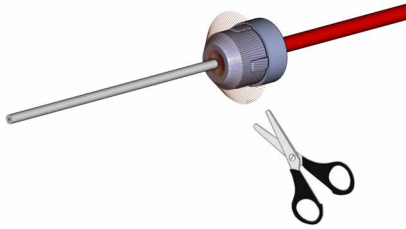
Place cap (1) and sealing insert (2) on cable
⚠ Respect correct order of parts (see picture)

7.



Completely widen shield braid. Push seal insert (2) under shield braid

8.



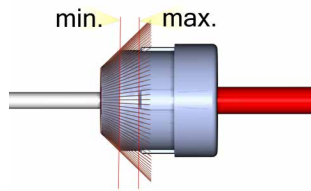
Cut shield to length.
⚠ For length see step 9.

12.



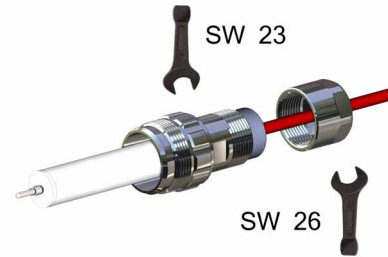
Completely insert cable in insulation part (4) until seal insert (2) plugs in housing (3)

9.



Make sure shield length is between min. and max. mark.

13.



Screw cap (1) onto housing (3)
⚠ Wrench size housing SW23, Wrench size cap SW26, tightening torque 10 Nm

10.



Remove dielectric insulation

14.

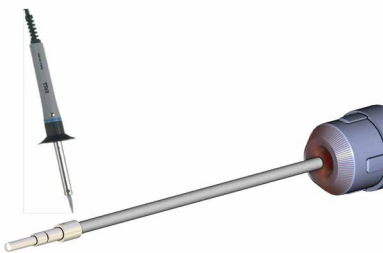


Secure contact (6) with snap ring (5)

| Types | min. L3 mm [inch] |
|-------------------------------------|-------------------|
| KS 110/120/130/150/160/1100 | 5 [.197"] |
| KS 115/125/125 Pro/135/155/165/1105 | 8 [.315"] |

⚠ Do not damage conductor

11.



Solder contact (6) on conductor
⚠ Tin-solder must not remain on contact surface

15.



Assembly finished

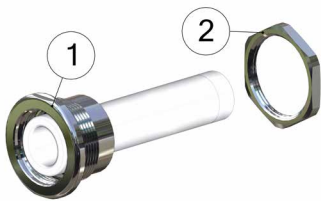
Assembly Instructions Series 100 (receptacle, panel mount)

1.



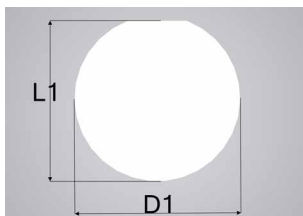
Part as supplied

2.



Remove counter nut (1) from housing (2)

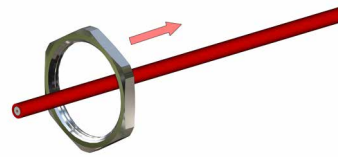
3.



Panel cut out

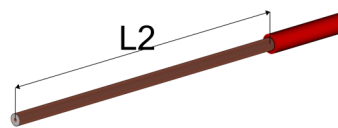
| Dimension | Value mm [inch] |
|-----------|-----------------|
| D1 | 36.10 [1.421"] |
| L1 | 34.90 [1.374"] |

4.



Place counter nut (1) on cable

5.

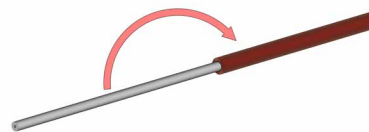


⚠ ONLY when using shielded cable:
Remove cable jacket

| Type | min. L2 mm [inch] |
|---------------|-------------------|
| B 110 / 115 | 40 [1.575"] |
| B 120 / 125 | 80 [3.150"] |
| B 130 / 135 | 120 [4.724"] |
| B 150 / 155 | 200 [7.874"] |
| B 160 / 165 | 240 [9.449"] |
| B 1100 / 1105 | 400 [15.748"] |

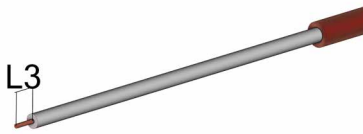
⚠ Do not damage shield braid

6.



Fold back shield braid over jacket

7.



Remove dielectric insulation

| Type | min. L3 mm [inch] |
|--------------------------------------|-------------------|
| B 110 / 120 / 130 / 150 / 160 / 1100 | 5 [.197"] |
| B 115 / 125 / 135 / 155 / 165 / 1105 | 8 [.315"] |

⚠ Do not damage conductor.

10.



Assembly finished

8.



Solder conductor on female contact or use a cable lug to connect conductor with contact

⚠ Tin-solder must not remain on contact surface

9.



Screw on counter nut and tighten

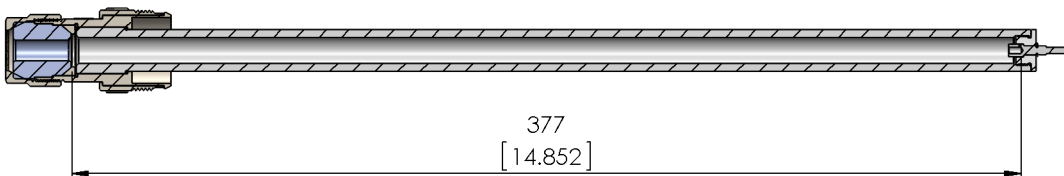
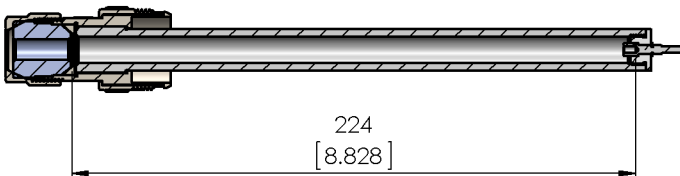
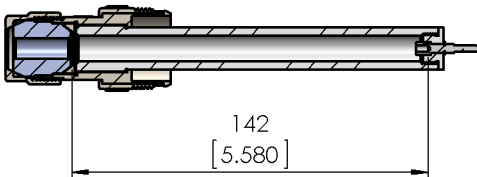
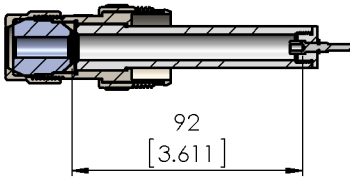
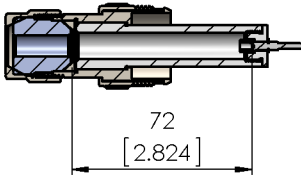
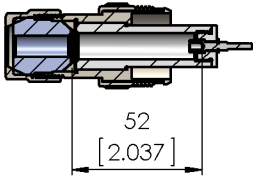


Note – important!

1. Please carefully read assembly instructions before cable assembly.
2. Cable assembly must only be done by trained and qualified personnel.

IMPORTANT – PLEASE NOTE:

Stated stripping lengths are referring ONLY to jackets of shielded cables!



| | Part No. 3330039 | Part No. 3330049 | Part No. 3330050 |
|--------------------------|--|--|--|
| Operating voltage DC | 60 kVDC | 100 kVDC | 100 kVDC |
| Operating voltage AC rms | 20 kVAC | 30 kVAC | |
| Conductor size | | | |
| AWG | AWG 18 | AWG 16 | AWG 16 |
| Strands | 19 x AWG 30 | 19 x AWG 29 | 19 x AWG 29 |
| Cross section | 0.97 mm ² | 1.2 mm ² | 1.2 mm ² |
| Diameter | 1.24 mm [.094"] | 1.25 mm [.094"] | 1.25 mm [.094"] |
| Semicon | YES | YES | YES |
| Diameter | 2.0 mm [.079"] | 2.5 mm [.098"] | 2.5 mm [.098"] |
| Material | Semiconductive PE | Semiconductive PE | Semiconductive PE |
| Dielectric | | | |
| Diameter | 5.8 mm [.228"] (± 0.25 mm) | 9.4 mm [.370"] (± 0.25 mm) | 9.4 mm [.370"] (± 0.25 mm) |
| Material | LDHMW PE | LDHMW PE | LDHMW PE |
| Screen (Shield) | YES | NO | YES |
| Diameter | 6.9 mm [.272"] | x | 9.8 mm [.386"] |
| Material | Cu/Sn (AWG 34 t.p.c.) 85% coverage | x | Cu/Sn (AWG 34 t.p.c.) 90% coverage |
| Jacket | | | |
| Diameter | 7.7 mm [.303"] (± 0.3 mm) | x | 11.2 mm [.441"] (± 0,25 mm) |
| Material | TPE-U | x | PVC |
| Impedance | x | x | 61 Ω |
| Capacitance | typ. 121pF/m | x | 98 pF/m |
| Min. bend radius | 90 mm [3.543"] (fixed) | 127 mm [5"] (fixed) | 152 mm [5.984"] (fixed) |
| Temperature range | -40°C to +60°C | -51°C to +60°C | -51°C to +60°C |
| Weight | 0.077 kg/m | 0.075 kg/m | 0.149 kg/m |
| Color | red | transparent | black |
| Fits connector types | SB110 SB115 SB120 SB125 SB125Pro SB130 SB135 SB150 SB155 SB160 SB165 | SB110 SB115 SB120 SB125 SB125Pro SB130 SB135 SB150 SB155 SB160 SB165 SB1100 SB1105 | SB110 SB115 SB120 SB125 SB125Pro SB130 SB135 SB150 SB155 SB160 SB165 SB1100 SB1105 |