



Features:

- Wide current range
- High voltage ratings
- Very high surge current capabilities
- Diffused junction
- RoHS compliant

Applications:

- Inverter/Converter controls
- Traditional Power supplies
- Phase control systems
- High power motor drives
- Traction power systems

Part Number	V _{RRM} V	I _{F(AV)} A	T _C °C	I _{FSM} A	I ² t KA ² s	I _{RRM} @T _{J(MAX)} mA	V _{FM} V	I _{FM} A	T _{J(MAX)} °C	R _{θJ-c} ³ °C/W	F _M Lbs	Figure
DPS Series - Standard Recovery Diode Capsules												
D30P400S	500-1500	400	115	7000	170	40	1.400	1200	185	0.055	1000	13
D30P1200S	500-1500	1200	115	11100	510	40	1.650	3800	185	0.055	1000	13
D38P750S	1500-3000	750	90	10000	417	50	1.700	2400	175	0.040	4000	14
D38P1000S	1000-2000	1000	90	12000	600	50	1.750	3200	185	0.040	4000	14
D38P1000S1	1500-2600	1000	90	12000	600	50	1.750	3200	200	0.040	4000	14
D38P1000S3	3500-4500	1000	85	11000	500	50	1.400	1000	170	0.040	4000	14
D38P1200S	2800-3500	1200	85	13000	700	50	1.200	1000	170	0.040	4000	14
D38P1500S	1500-2600	1500	90	16000	1060	50	1.650	4700	185	0.040	4000	14
D52P1800S	2500-3000	1800	100	25000	2600	50	1.800	5000	175	0.023	5000	15
D52P2400S	1400-2000	2400	100	32000	4300	50	1.700	7600	185	0.023	5000	15
D77P2900S	3800-4500	2900	100	40000	6600	100	1.150	2000	170	0.012	8000	17
D77P3900S	2700-3200	3900	100	60000	14900	100	1.050	2000	175	0.012	8000	17
D77P4400S	1800-2600	4400	100	60000	14900	100	0.865	2000	185	0.012	8000	17
DPF Series - Fast Recovery Diode Capsules												
D30P650F	500-1500	650	65	10000	410	40	1.90	2000	125	0.055	1000	14
D38P600F	600-1500	600	65	10000	415	50	1.80	2000	125	0.043	4000	15
D38P1000F	1500-2000	1000	78	14000	815	50	3.00	3200	125	0.043	4000	15
D52P925F	1500-2400	925	70	18000	1300	75	2.65	2900	150	0.023	5000	16

Part Number	V _{RRM} V	I _{T(AV)} A	T _C °C	I _{TSM} A	I ² t KA ² S	I _{RRM} @T _{J(MAX)} mA	V _{TM} V	I _{TM} A	T _{J(MAX)} °C	di/dt A/μS	dv/dt V/μS	I _{GT} /V _{GT} mA/V	t ₀ μS	I _H mA	F _M Lbs	R _{θJ-c} ³ °C/W	Figure
TPS Series - Phase Control SCR Capsules ¹																	
T30P600S	1000-2000	600	65	7500	235	30	2.30	2000	125	400	200	150/3	200	400	1000	0.0550	18
T30P700S	500-1400	700	65	8000	265	30	2.20	2000	125	400	200	150/3	200	400	1000	0.0550	18
T38P400S	3500-4500	400	70	5500	130	75	2.10	500	125	200	1000	150/3	400	400	3000	0.0400	19
T38P750S	1000-2000	750	67	11000	500	35	1.80	2200	125	400	200	150/3	200	400	3000	0.0400	19
T38P900S	500-1600	900	67	13000	700	35	1.60	2800	125	400	200	150/3	200	400	3000	0.0400	19
T52P800S	4000-4500	800	70	9000	330	75	2.00	1000	125	150	1000	150/3	500	400	5500	0.0250	20
T52P950S	3500-4000	950	70	16000	1000	75	1.60	1000	125	150	1000	150/3	500	400	5500	0.0250	20
T52P1000S	2200-3200	1000	74	15000	937	75	2.26	3000	125	300	300	150/3	250	400	5500	0.0250	20
T52P1300S	500-2000	1300	65	20000	1700	65	1.75	3000	125	400	400	150/3	250	400	5500	0.0250	20
T52P1500S	500-2000	1500	65	23000	2200	65	1.65	3000	125	400	400	150/3	250	400	5500	0.0250	20
T52P1640S	500-1400	1640	65	28500	3400	65	1.40	3000	125	400	400	150/3	250	400	5500	0.0250	20
T65P1200S	3600-4400	1200	65	20000	1900	150	2.00	2000	125	250	500	200/4	250	500	8000	0.0170	21
T65P1500S	1600-3000	1500	65	22500	2300	90	1.90	2000	125	250	500	200/4	250	500	10000	0.0170	21
T65P2000S	600-2000	2000	65	29400	3000	90	1.70	2000	125	300	500	200/4	250	500	10000	0.0170	21
T77P1650S	3600-4400	1650	70	26000	2800	250	2.55	5000	125	300	1000	200/4	400	250	10000	0.0120	22
T77P2100S	1200-1800	2100	70	38000	5500	100	1.55	2000	125	800	500	200/4	80	500	10000	0.0120	22
T77P2300S	2200-2700	2300	70	35000	5000	150	1.35	2000	125	300	500	200/4	400	100	10000	0.0120	22
T77P2500S	1200-2400	2500	65	45000	8500	150	1.90	7850	125	300	500	200/4	400	100	10000	0.0120	22
T77P3000S	800-1400	3000	65	45000	8500	150	1.15	2000	125	300	500	200/4	400	100	10000	0.0120	22
T77P3000S1	1200-2100	3000	70	55000	12500	150	1.10	2000	125	300	1000	200/4	400	100	10000	0.0120	22
TPF Series - Inverter Grade Fast Switching SCR Capsules ²																	
T30P600F	500-1400	600	65	6000	150	40	2.50	1200	125	800	400	150/3	20	500	1000	0.0550	18
T38P900F	1500-2000	900	65	7800	250	50	2.50	2000	125	800	500	200/3	30	500	3000	0.0400	19
T38P1000F	500-1400	1000	65	10000	415	35	2.90	2000	125	800	500	200/3	40	500	3500	0.0400	19
T38P1150F	1500-2000	1150	65	9000	336	50	2.50	2300	125	800	500	200/3	55	500	3000	0.0400	19
T52P1700F	1500-2000	1700	65	20000	1660	65	2.20	3400	125	800	500	150/3	50	500	5500	0.0230	20
T52P2000F	500-1400	2000	65	16000	1060	65	2.60	4000	125	800	500	150/3	35	500	5500	0.0230	20
T65P2500F	600-1600	2500	65	24500	2500	90	1.90	3000	125	800	500	200/4	65	500	10000	0.0170	21
T65P2500F2	2200-2500	2500	65	40000	6800	100	2.25	4000	125	800	500	200/4	80	500	10000	0.0120	21
T77P3000F	2000-2800	3000	65	48000	8200	100	2.45	5000	125	800	500	200/4	75	500	16000	0.0085	22

Notes:

¹ Currents listed are Average values.

² Currents listed are RMS values.

³ Both Sides Cooled

* For specific Q_{RR} values, contact the factory.

All devices listed are RoHS compliant.

How to Order: CKE Part Number (first column) - Voltage Required (from range in second column - in 100 volt increments) Example: T30P600F800

A "-" indicates a component that is a standard recovery device and no T_{RR} data was taken.

Diode Capsules

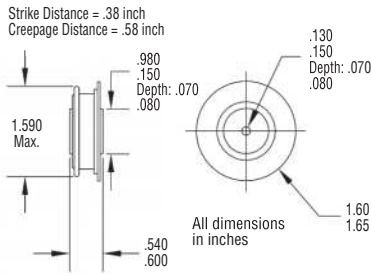


FIG 13 30mm PACKAGE

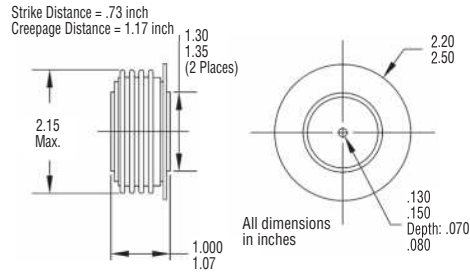


FIG 14 38mm PACKAGE

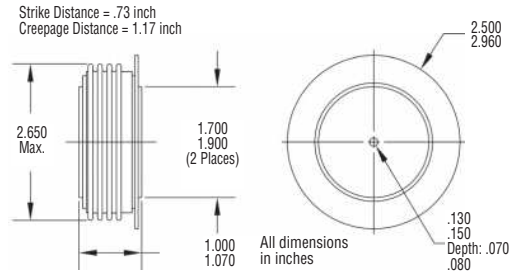


FIG 15 52mm PACKAGE

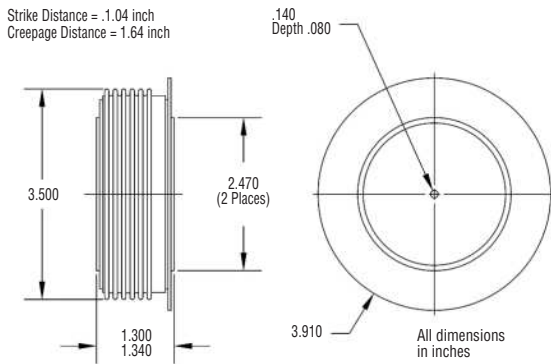


FIG 16 65mm PACKAGE

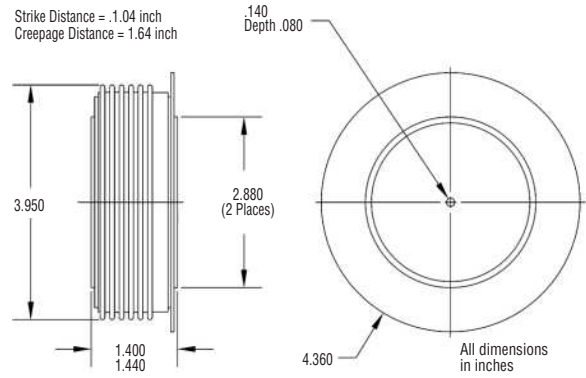


FIG 17 77mm PACKAGE

SCR Capsules

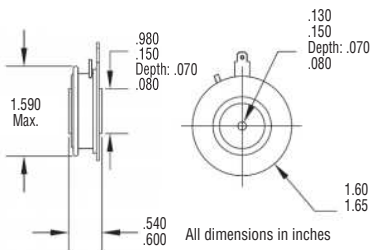
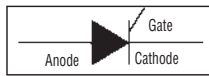


FIG 18 30mm PACKAGE

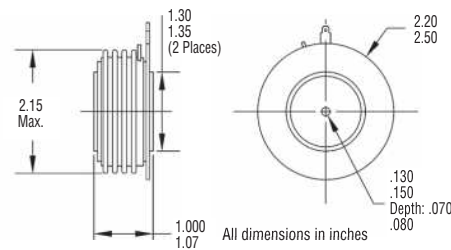


FIG 19 38mm PACKAGE

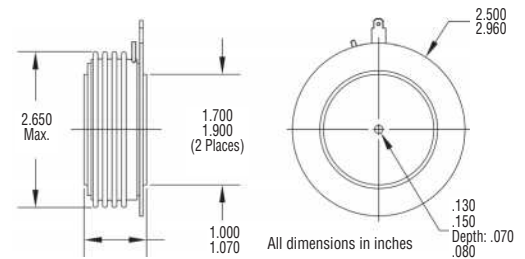


FIG 20 52mm PACKAGE

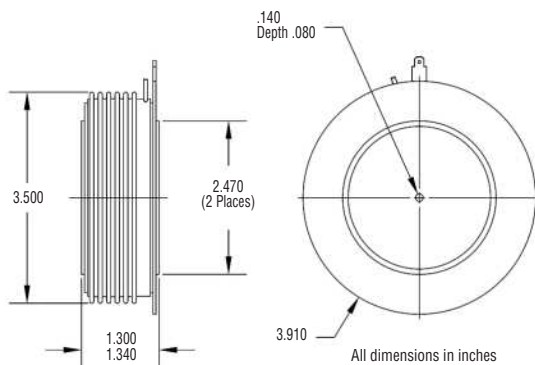


FIG 21 65mm PACKAGE

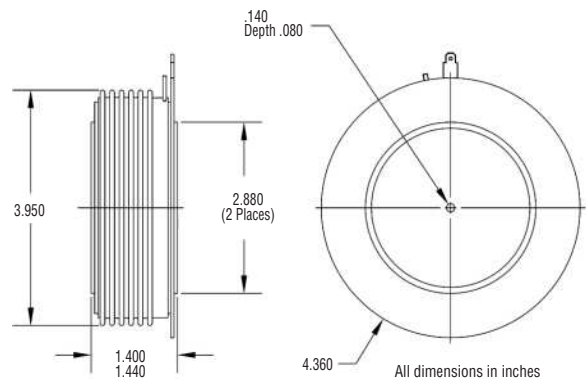


FIG 22 77mm PACKAGE