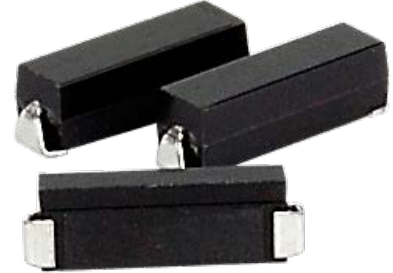




Features

- Surface mount, J-leaded package
- Available in cut tape and 1,000 piece reels
- UX-F15B design in longer surface mount, J-leaded package
- Molded plastic body, ANSI/UL94 V-0 rated material
- RoHS compliant to Directive 2011/65/EC, Article 4(1), Annex II, Annex III, 7(a) and EU RoHS Directive (EU) 2015/863 of March 2015, Amending Annex II

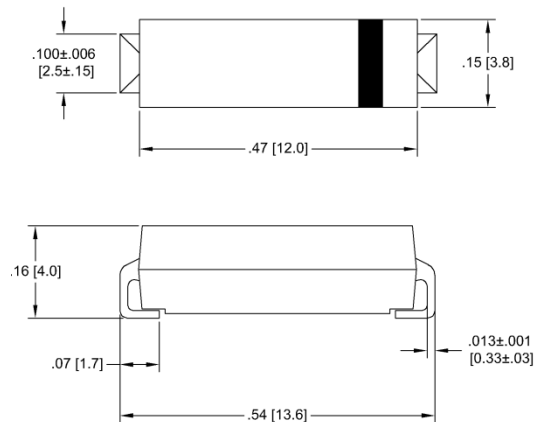


DEVICE ELECTRICAL CHARACTERISTICS

(25°C ambient temperature unless stated otherwise)

	Conditions	Symbol	Value
Maximum Repetitive Peak Reverse Voltage	-	V_{RRM}	15,000 Volts
Average Forward Current Maximum	$T_C = 80^\circ C$	I_{FAVM}	240 mA
Average Forward Current Maximum	$T_L = 55^\circ C$	I_{FAVM}	450 mA
Average Forward Current Maximum	$T_L = 100^\circ C$	I_{FAVM}	250 mA
Thermal Resistance (typical) in °C/W	Leads mounted on 5mm x 5mm copper pad.	$R\theta$	$R\theta_{JC}$
			20
			$R\theta_{JL}$
			13
Maximum Forward Voltage Drop	$I_F = 100mA$	V_F	16 Volts
Maximum Surge Current Rating	8.3msec, half sine	I_{FSM}	20 Amps
Maximum Reverse Current	at rated V_{RRM}	I_R	0.5 μA
Maximum Reverse Recovery Time	$I_F=100mA$; $I_R=-200mA$; $I_{RR}=-50mA$	T_{RR}	50 ns
Junction Capacitance (typical)	$f = 1MHz$, $V_r = 0VDC$	C_J	3.5 pf
Maximum Junction Temperature	-	T_J	150°C
Storage Temperature Range	-	T_{STG}	-55°C to 150°C

MECHANICAL DATA:



DIMENSIONS IN INCHES (MM)