



# HE2 SERIES

Surge Protective Device Type 1 and Type 2  
50 kA per Phase

Surge Protection Devices (SPDs), designed to protect Single and Multi-Phase electrical distribution systems against the risk of harmful effects of transient surges.

- Direct and indirect lightning strikes
- Power company load switching

### Typical Applications:

- Outdoor/Indoor and commercial LED lighting
- Telecommunication equipment
- Medical electronics
- Security & Alarm equipment
- Manufacturing Facilities
- Other Critical Electronic Equipment

### Features:

- UL 1449 4<sup>th</sup> Type 1 SPDs with SCCR up to 200 kArms without external fuse or CB
- UL 1449 4<sup>th</sup> Type 2 SPDs with Sine Wave Tracking, SCCR 200 kArms
- Patented SCCR 200 kArms thermally protected MOV technology (TPMOV) as core component
- Full modes protection
- High surge energy capability with compact size
- Low voltage protection rating
- NEMA 4X enclosure with Threaded NPT
- Degradation failure indication.



### Specifications:

<b>Certification</b>	ANIS/UL 1449 4 <sup>th</sup> edition Type 1 / Type 2
<b>Connection Type</b>	Parallel Connected
<b>Surge Capacity</b>	50 kA per Phase
<b>Nominal discharge current In</b>	10 kA
<b>SCCR</b>	200 kArms
<b>Power Status Indication</b>	Power LED On
<b>Working Status Indication</b>	Fail = Surge Protection LED On
<b>Connection Wire</b>	12 AWG, 300 mm (11.8") Length, (L1 = black; L2 = red; L3 = blue; N = white; PE = green)
<b>Working environments</b>	Temperature -40°C to +75°C, Humidity relative 5-95% (25°C), Altitude ≤ 3km
<b>Dimensions, W x D x H</b>	162 x 80 x 76 mm
<b>Enclosure</b>	Plastic enclosure, NEMA 4X
<b>Threaded NPT</b>	1/2" NPT
<b>Net Weight (typical value)</b>	0.47 kg



**Technical Data:**

Model Number	System Voltage (50/60Hz)	In (kA)	Voltage Protection Ratings (VPR @ 6kV/3kA)				MCOV	Fig.
			L-N	L-G	N-G	L-L		
HE2120P12PT1A	120/240V SP	10	700	700	700	1200	150/300*	1
HE2120P12PT2A	120/240V SP	10	700	700	700	1200	150/300*	1
HE2240P12PT1A	240/480V SP	10	1200	1200	1200	2000	320/550*	1
HE2240P12PT2A	240/480V SP	10	1200	1200	1200	2000	320/550*	1
HE2120S12PT1A	120V S	10	700	700	700	-	150	2
HE2120S12PT2A	120V S	10	700	700	700	-	150	2
HE2127S12PT1A	127V S	10	700	700	700	-	150	2
HE2127S12PT2A	127V S	10	700	700	700	-	150	2
HE2240S12PT1A	240V S	10	1200	1200	1200	-	320	2
HE2240S12PT2A	240V S	10	1200	1200	1200	-	320	2
HE2277S12PT1A	277V S	10	1200	1200	1200	-	320	2
HE2277S12PT2A	277V S	10	1200	1200	1200	-	320	2
HE2347S12PT1A	347V S	10	1500	1500	1500	-	420	2
HE2347S12PT2A	347V S	10	1500	1500	1500	-	420	2
HE2127Y12PT1A	220Y/127V Y	10	700	700	700	1200	150	3
HE2127Y12PT2A	220Y/127V Y	10	700	700	700	1200	150	3
HE2120Y12PT1A	208Y/120V Y	10	700	700	700	1200	150	3
HE2120Y12PT2A	208Y/120V Y	10	700	700	700	1200	150	3
HE2240Y12PT1A	415Y/240V Y	10	1200	1200	1200	2000	320	3
HE2240Y12PT2A	415Y/240V Y	10	1200	1200	1200	2000	320	3
HE2277Y12PT1A	480Y/277V Y	10	1200	1200	1200	2000	320	3
HE2277Y12PT2A	480Y/277V Y	10	1200	1200	1200	2000	320	3
HE2347Y12PT1A	600Y/347V Y	10	1500	1500	1500	2500	420	3
HE2347Y12PT2A	600Y/347V Y	10	1500	1500	1500	2500	420	3
HE2120H12PT1A	120/240V HL	10	700/1200	700/1200	700	1200/2000	150/320	3
HE2120H12PT2A	120/240V HL	10	700/1200	700/1200	700	1200/2000	150/320	3
HE2240H12PT1A	240/480V HL	10	1200/1800	1200/1800	1200	2000/3000	320/550	3
HE2240H12PT2A	240/480V HL	10	1200/1800	1200/1800	1200	2000/3000	320/550	3
HE2240D12PT1A	240V D	10	-	1200	-	1200	320	4
HE2240D12PT2A	240V D	10	-	1200	-	1200	320	4
HE2480D12PT1A	480V D	10	-	1800	-	3000	550	4
HE2480D12PT2A	480V D	10	-	1800	-	3000	550	4
HE2600D12PT1A	600V D	10	-	2000	-	4000	690	4
HE2600D12PT2A	600V D	10	-	2000	-	4000	690	4

*\*Note: With TPMOV Combination Per Phase Configuration. See Chart Below.*

**Configuration:**

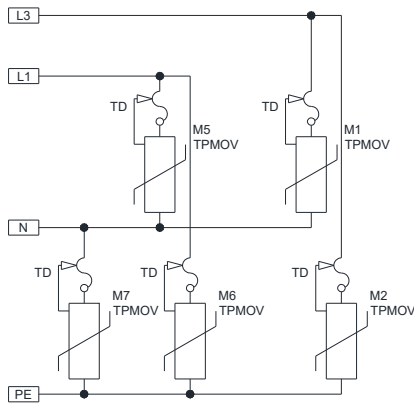
	<b>12</b>
<b>TPMOV Combination</b>	<b>50 kA / PHASE</b>

**Configure & Ordering Information:**

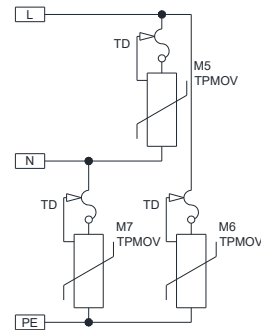
<b>Part Number:</b> HE 2 120 P 12 P T1 A 1 2 3 4 5 6 7 8	<b>3. Voltage Code:</b> 120 127 240 277 347	<b>4. System Configuration</b> S - Single Phase P - Split Phase Y - WYE H - High Leg Delta D - Delta	<b>5. TP MOV Combination</b> 12
<b>1: Product ID:</b> HE – Hulk Series	480 600		<b>6. Material:</b> P - Plastic
<b>2: Series Category:</b> 2 – HE2			<b>7. SPD Type:</b> T1 - Type 1 T2 - Type 2  <b>8. Options:</b> A – Remote Alarm

**Basic Circuits:**

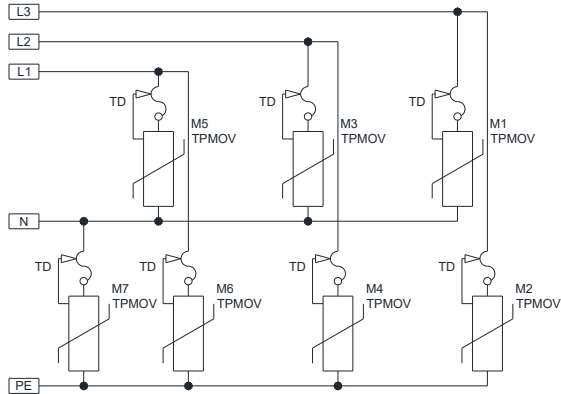
**Fig. 1**



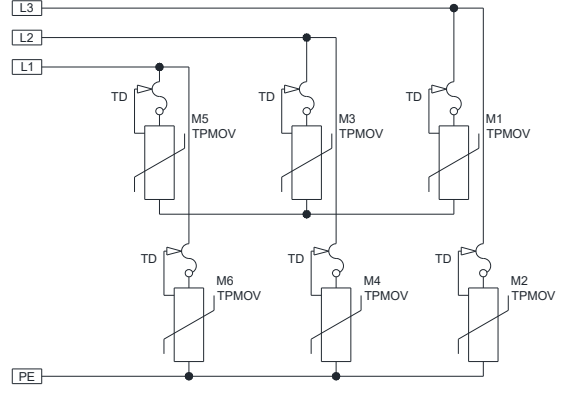
**Fig. 2**



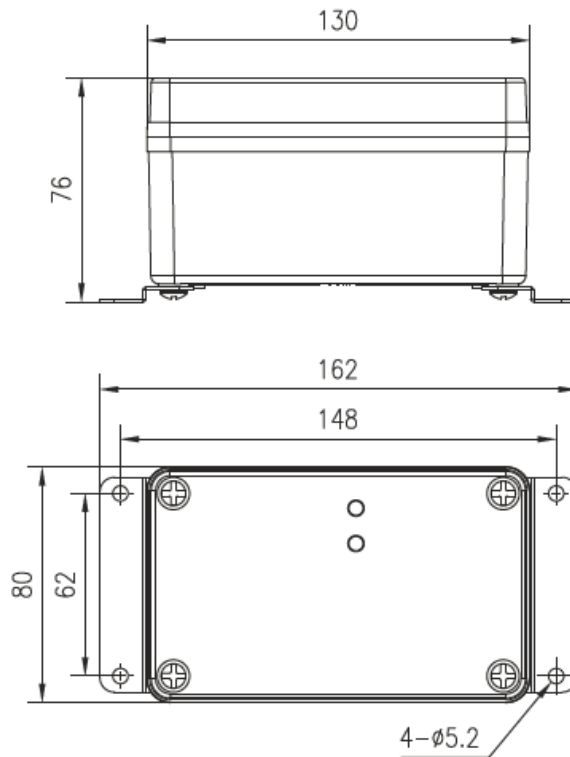
**Fig. 3**



**Fig. 4**



**Dimensions:**



**Certification:**

